

MAKE THE MOST OF YOUR



LM15WINE
OUTDOOR WINE CELLAR
CARE & USE/INSTALLATION

CONTENTS AND SAFETY INSTRUCTIONS

Contents

Safety information	2
Unpacking your appliance	3
Warranty registration	3
Installing your appliance	4
Cabinet clearances	4
Leveling the appliance	4
Electrical connection	5
Installing the anti-tip device	6
Product Dimensions	8
Using your Electronic control	10
Starting your appliance	10
Turning your appliance "ON" or "OFF"	10
Adjusting the temperature	10
Wine cellar operation	10
Alarms	10
Door ajar	10
Temperature sensor fault	10
High and Low temperature	10
Alarm mute	11
Shelving configurations	12
Care and cleaning	13
Long term storage / winterization	14
Stainless steel maintenance	15
Energy saving tips	16
Obtaining service	16
Troubleshooting	17
The Lynx story	18

Important Safety Instructions

Warnings and safety instructions appearing in this guide are not meant to cover all possible conditions and situations that may occur. Common sense, caution, and care must be exercised when installing, maintaining, or operating this appliance.

Recognize Safety Symbols, Words, and Labels.



WARNING

WARNING-You can be killed or seriously injured if you do not follow these instructions.



CAUTION

CAUTION-Hazards or unsafe practices which could result in personal injury or property / product damage.

NOTE

NOTE-Important information to help assure a problem free installation and operation.



WARNING

State of California Proposition 65 Warning:
This product contains one or more chemicals known to the State of California to cause cancer.



WARNING

State of California Proposition 65 Warning:
This product contains one or more chemicals known to the State of California to cause birth defects or other reproductive harm..

UNPACKING YOUR APPLIANCE



WARNING

EXCESSIVE WEIGHT HAZARD

Use two or more people to move product.
Failure to do so can result in personal injury.

Remove Interior Packaging

Your appliance has been packed for shipment with all parts that could be damaged by movement securely fastened. Remove internal packing materials and any tape holding internal components in place. The owners manual is shipped inside the product in a plastic bag along with the warranty registration card, and other accessory items.

Important

Keep your carton and packaging until your appliance has been thoroughly inspected and found to be in good condition. If there is damage, the packaging will be needed as proof of damage in transit. Afterwards please dispose of all items responsibly.



WARNING

WARNING - Dispose of the plastic bags which can be a suffocation hazard.

Note to Customer

This merchandise was carefully packed and thoroughly inspected before leaving our plant. Responsibility for its safe delivery was assumed by the retailer upon acceptance of the shipment. Claims for loss or damage sustained in transit must be made to the retailer.

NOTE

DO NOT RETURN DAMAGED MERCHANDISE TO THE MANUFACTURER - FILE THE CLAIM WITH THE RETAILER.



CAUTION

If the appliance was shipped, handled, or stored in other than an upright position for any period of time, allow the appliance to sit upright for a period of at least 24 hours before plugging in. This will assure oil returns to the compressor. Plugging the appliance in immediately may cause damage to internal parts.

Warranty Registration

It is important you send in your warranty registration card immediately after taking delivery of your appliance or you can register online at:

www.lynxgrills.com/support/registration

The following information will be required when registering your appliance.

Service/Model Number

Serial Number

Date of Purchase

Dealer's name and address

The service/model number and serial number can be found on the serial plate which is located inside the cabinet on the left side near the top. (See Figure 1).

LYNX GRILLS, INC	
DOWNEY, CA 90242	
MODEL NO.	XXXXXXXXXXXXXX
SERVICE NO.	XXXXXXXXXXXXXX
SERIAL NO.	XXXXXXXXXXXXXX
HZ	<input type="checkbox"/>
VOLTS	<input type="checkbox"/>
AMPS	<input type="checkbox"/>
R134A	<input type="checkbox"/>
oz	<input type="checkbox"/>
DESIGN PRESSURES 140 PSI LOW SIDE 300 PSI HIGH SIDE	

Figure 1



WARNING

WARNING - Help Prevent Tragedies

Child entrapment and suffocation are not problems of the past. Junked or abandoned refrigerators are still dangerous - even if they sit out for "just a few hours".

If you are getting rid of your old refrigerator, please follow the instructions below to help prevent accidents.

Before you throw away your old refrigerator or freezer:

- Take off the doors or remove the drawers.
- Leave the shelves in place so children may not easily climb inside.

INSTALLING YOUR APPLIANCE

Select Location

The proper location will ensure peak performance of your appliance. We recommend a location where the unit will be out of direct sunlight and away from heat sources. To ensure your product performs to specifications, the recommended installation location temperature range is from 55 to 115°F (13 to 46°C).

Cabinet Clearance

Ventilation is required from the bottom front of the appliance. Keep this area open and clear of any obstructions. Adjacent cabinets and counter top can be installed around the appliance as long as the front grille remains unobstructed.

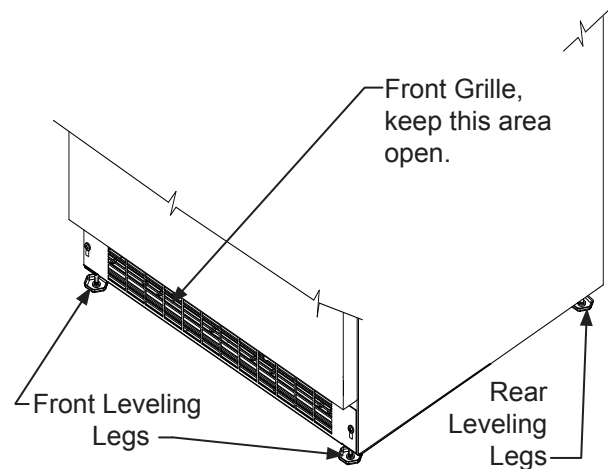


Figure 2

Leveling Legs

Adjustable legs at the front and rear corners of the appliance should be set so the unit is firmly positioned on the floor and level from side to side and front to back. The overall height of your Lynx appliance may be adjusted between the minimum, 33³/₄" (85.7 cm), by turning the leveling leg in (CW ↻) and the maximum, 34³/₄" (88.3 cm) by turning the leveling leg out (CCW ↻).

To adjust the leveling legs, place the appliance on a solid surface and protect the floor beneath the legs to avoid scratching the floor. With the assistance of another person, lean the appliance back to access the front leveling legs. Raise or lower the legs to the required dimension by turning the legs. Repeat this process for the rear by tilting the appliance forward using caution. On a level surface check the appliance for levelness and adjust accordingly.

The front grille screws may be loosened and the grille adjusted to the desired height. When adjustment is complete tighten the two front grille screws. (See Figure 5).



CAUTION

Front Grille

Do not obstruct the front grille. The openings within the front grille allow air to flow through the condenser heat exchanger. Restrictions to this air flow will result in increased energy usage and loss of cooling capacity. For this reason it is important this area not be obstructed and the grille openings kept clean. Lynx Grills does not recommend the use of a custom made grille as air flow may be restricted. (See Figure 2).

INSTALLING YOUR APPLIANCE

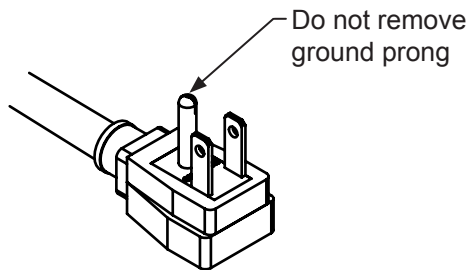


Figure 3

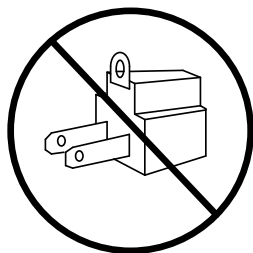


Figure 4

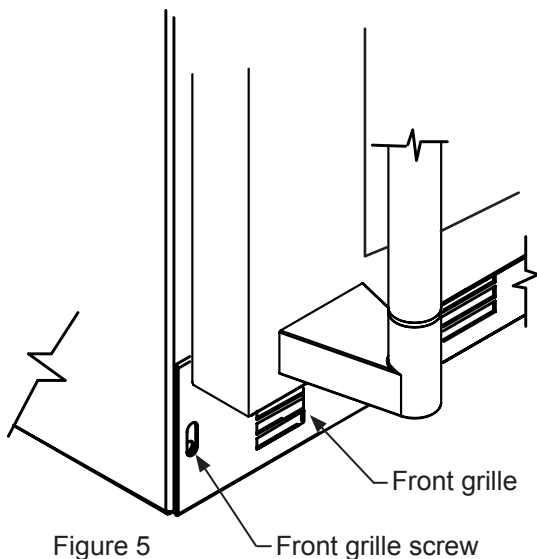


Figure 5

WARNING

Electrical Shock Hazard

- Do not use an extension cord with this appliance. They can be hazardous and can degrade product performance.
- This appliance should not, under any circumstances, be installed to an un-grounded electrical supply.
- Do not remove the grounding prong from the power cord. (See Figure 3).
- Do not use an adapter. (See Figure 4).
- Do not splash or spray water from a hose on the appliance. Doing so may cause an electrical shock, which may result in severe injury or death.

Electrical Connection

A grounded 115 volt, 15 amp dedicated circuit is required.

This product is factory equipped with a power supply cord that has a three-pronged, grounded plug. It must be plugged into a mating grounding type receptacle in accordance with the National Electrical Code and applicable local codes and ordinances (see Figure 6). If the circuit does not have a grounding type receptacle, it is the responsibility and obligation of the customer to provide the proper power supply. The third ground prong should not, under any circumstances, be cut or removed.

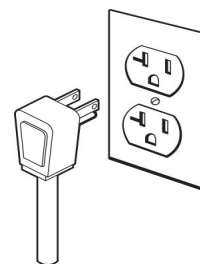


Figure 6

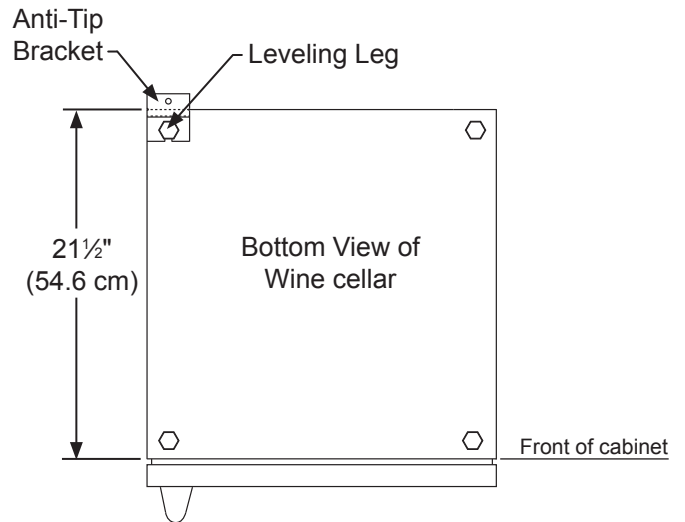
NOTE

Ground Fault Circuit Interrupters (GFCI) are prone to nuisance tripping which will cause the appliance to shut down. GFCI's are generally not used on circuits with power equipment that must run unattended for long periods of time, unless required to meet local building codes and ordinances.

INSTALLING THE ANTI TIP DEVICE (FREESTANDING INSTALLATIONS)

WARNING

- ALL APPLIANCES CAN TIP RESULTING IN INJURY.
- INSTALL THE ANTI-TIP BRACKET PACKED WITH THE APPLIANCE.
- FOLLOW THE INSTRUCTIONS BELOW



Anti-Tip Device

WARNING

If your wine cellar is not located under a counter top (free standing), you must use an anti-tip device installed as per these instructions. If the wine cellar is removed from its location for any reason, make sure that the device is properly engaged with the anti-tip bracket when you push the wine cellar back into the original location. If the device is not properly engaged, there is a risk of the wine cellar tipping over, with the potential for property damage or personal injury.

NOTE

If installing on a concrete floor, concrete fasteners are required, (not included with the anti-tip kit).

CAUTION

Any finished flooring should be protected with appropriate material to avoid damage when moving the unit.

Floor Mount Installation

The anti-tip bracket is to be located on the floor in the left or right rear corner of the wine cellar as shown in Figure 7.

Step by Step Instructions

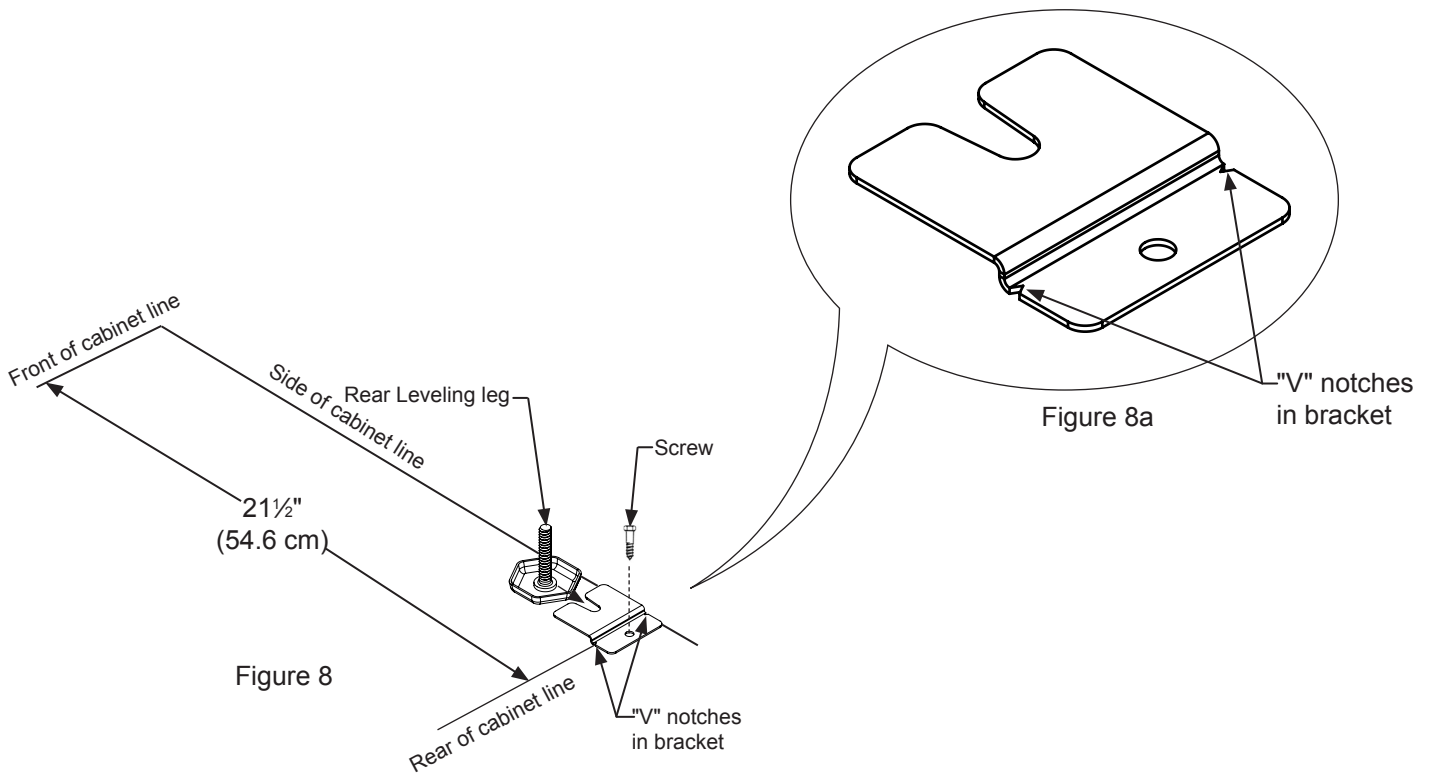
for locating the position of the bracket:

- 1) Decide where you want to place the wine cellar. Slide it into place, being careful not to damage the floor, leaving 1" (2.5 cm) of clearance from the rear wall to allow room for the anti-tip bracket.
- 2) Raise the rear leveling legs approximately 1/4" (6 mm) to allow engagement with the anti-tip bracket. Level the unit by adjusting all the leveling legs as required. Turning the leveling leg counterclockwise will raise the unit and clockwise will lower the unit.
- 3) Make sure the wine cellar is in the desired location, then mark on the floor the rear and side corner of the cabinet where the anti-tip bracket will be installed. If the installation does not allow marking the rear corner of the cabinet, then make temporary lines on the floor marking the front corner of the cabinet, excluding the door. Slide the wine cellar out of the way. From the temporary line extend the sidewall line back 21 1/2" (54.6 cm) as shown in Figure 8.
- 4) Align the anti-tip bracket to the marks on the floor so the side of the bracket lines up with the side of the cabinet mark, and the "V" notches on the anti-tip bracket line up with the end of the 21 1/2" (54.6 cm) line (Rear of cabinet line).
- 5) Fasten the anti-tip bracket to the floor using the supplied screw. (See Figure 8).
- 6) Slide the cabinet back into position, making sure the rear cabinet leveling leg slides under the anti-tip bracket engaging the slot.

INSTALLING THE ANTI TIP DEVICE (FREESTANDING INSTALLATIONS)

NOTE

When the floor mounted anti-tip bracket is used the minimum adjusted height of the cabinet is increased by $\frac{3}{8}$ " (9 mm).



PRODUCT DIMENSIONS

MODEL	ROUGH-IN OPENING DIMENSIONS			CABINET DIMENSIONS					
	"A"	"B"	"C"	"D"	"E"	"F"	"G"	"H"	"J"
LM15WINE	15" (38.1 cm)	**34" to 35" (86.4 to 88.9 cm)	*	14 ⁷ / ₈ " (37.8 cm)	33 ³ / ₄ " to 34 ³ / ₄ " (85.7 to 88.3 cm)	23 ²³ / ₃₂ " (60.2 cm)	26 ³ / ₄ " (67.9 cm)	37 ¹³ / ₃₂ " (95 cm)	17 ³ / ₄ " (45.1 cm)

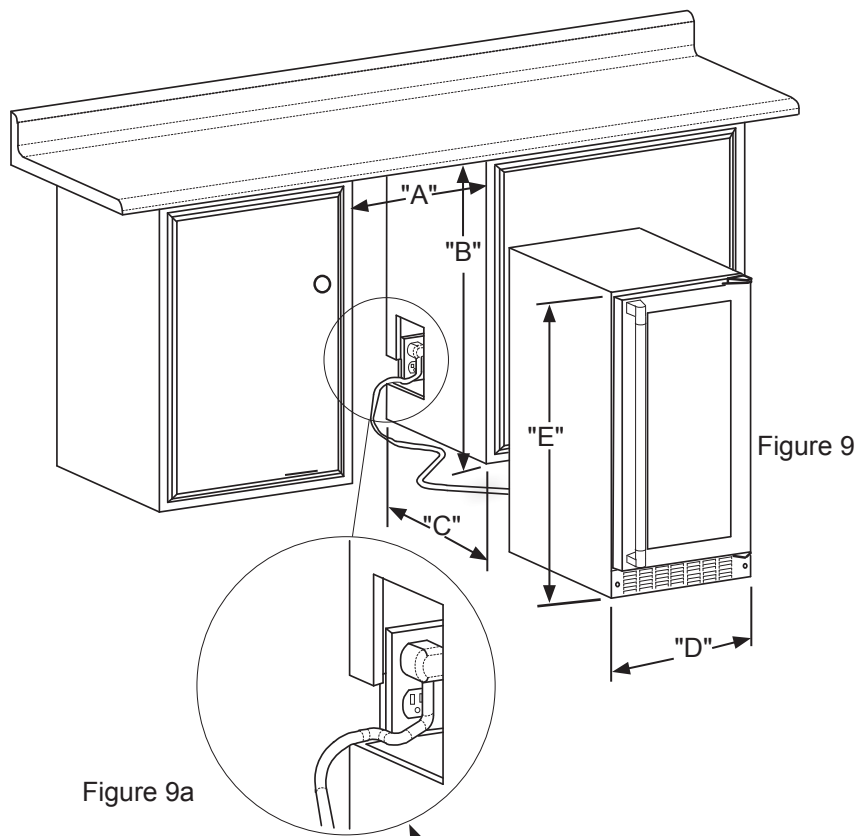


Figure 9a



Figure 10

If necessary to gain clearance inside the rough-in opening a hole can be cut through the adjacent cabinet and the power cord routed through this hole to a power outlet. Another way to increase the available opening depth is to recess the power outlet into the rear wall to gain the thickness of the power cord plug. Not all recessed outlet boxes will work for this application as they are too narrow, but a recessed outlet box equivalent to Arlington #DVFR1W is recommended for this application, (see Figure 10).

PRODUCT DIMENSIONS

MODEL	PRODUCT DATA	
	ELECTRICAL REQUIREMENTS #	PRODUCT WEIGHT
LM15WINE	115V/60Hz/15A	105 lbs (47.7 kg)

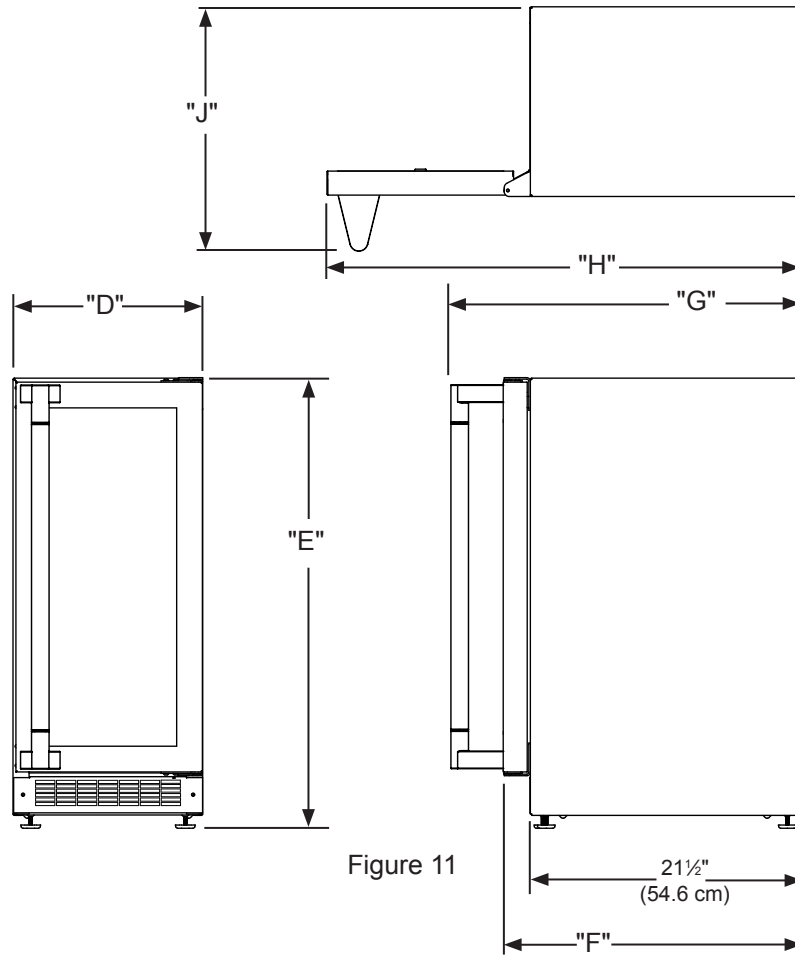


Figure 11

* Depth dimension of rough-in opening may vary depending on each individual installation. To recess entire door "F" dimension plus 1" (2.5 cm) for thickness of power cord plug is required.

** Minimum rough-in opening required is to be larger than the adjusted height of the cabinet.

A grounded 15 amp dedicated circuit is required. Follow all local building codes when installing electrical and appliance.

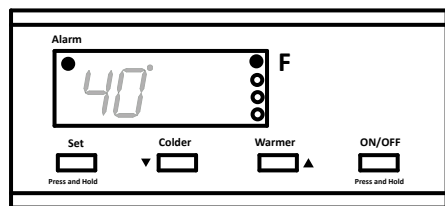


WARNING

Floor mount Anti-tip Bracket must be installed for freestanding applications. Not required for built in applications.

USING YOUR ELECTRONIC CONTROL

Figure 12
close-up of
control



Starting Your Wine cellar

Plug the wine cellar power cord into a wall outlet. Your wine cellar will begin cooling after power is applied.

If your wine cellar does not start, check that the wine cellar is turned on and the set temperature is cold enough.

Turning Your Wine cellar ON or OFF

If the wine cellar is on, the wine cellar temperature will be shown on the display. To turn the wine cellar off, press and hold the "ON/OFF" button for three (3) seconds. "OFF" will appear on the display.

If the wine cellar is not on, "OFF" will be shown on the display. To turn the wine cellar on, press and hold the "ON/OFF" button for three (3) seconds. The wine cellar temperature will be shown on the display.

Setting the temperature

To set the wine cellar temperature, press and hold the "SET" button. When the "SET" button is pressed, the display will show the set temperature. While holding the "SET" button, press the "WARMER" or "COLDER" buttons to adjust set temperature.

Wine cellar Operation

The available temperature range of the wine cellar is 40°F (4.5°C) to 65°F (18.4°C).

It may take up to 24 hours for your wine cellar to reach desired temperature. This will depend on amount of content loaded and number of door opening and closings.

For best results allow wine cellar to "pull down" to desired set temperature before loading. Once contents are loaded, allow at least 48 hours for temperature to stabilize before making any adjustments to the set temperature.

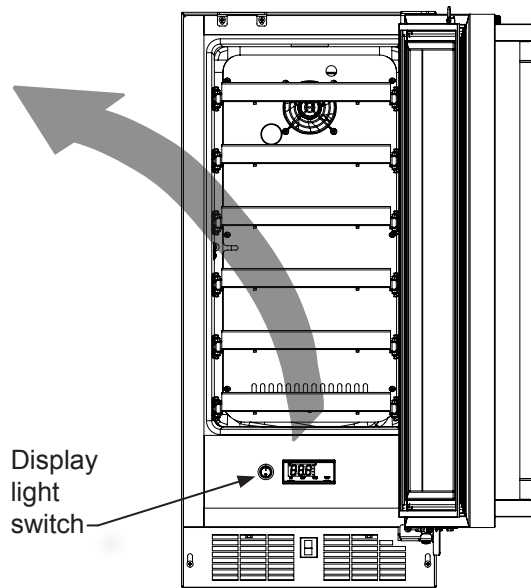


Figure 13

Alarms

Your electronic control will monitor wine cellar function and alert you with a series of audible and visual alarms.



- **Door Ajar Alarm:** If the door has been left open for over five (5) minutes, the alarm will sound in one (1) second intervals. The

display panel will flash "do" and the Alarm LED located at the top left of the display below the word "Alarm" will be illuminated. This will stop as soon as the door is closed.



- **Temperature Sensor Fault:** If the controller detects that the temperature sensor is not properly functioning, a temperature

sensor alarm will sound in one (1) second intervals. "E1" will flash on the display panel and the Alarm LED located at the top left of the display below the word "Alarm" will be illuminated. Please call Lynx Grills Customer Service or your dealer if this error code is displayed.



- **High and Low Temperature Alarm:** If the storage compartment temperature deviates excessively from the set-point temperature, the alarm will sound in (1) second intervals. The display panel will flash either "Hi" or "Lo" depending upon the condition and the Alarm LED light at the top left of the display below the word "Alarm" will be illuminated. The alarm will remain active until the condition is corrected.

USING YOUR ELECTRONIC CONTROL

NOTE

After a high temperature alarm condition, check all perishables to ensure they are safe for consumption.

NOTE

The temperature alarm may occur as a result of high usage or introduction of warm contents to the storage compartment. If the temperature alarm continues to occur, your unit may require service.

Alarm Mute

Press any key to mute the audible portion of an alarm.

NOTE

This action will only mute the alarm. If the condition that caused the alarm continues, the alarm code will continue to flash and will sound for 20 seconds every 60 minutes.

Interior Light and Switch

The interior light makes it easy to view your wine labels and enhances the display of your collection. To engage the display light feature, press the round light switch, see Figure 13. It is located on the left side of the user panel. The light will come on and stay on with the door closed until the light switch is pressed again. The light will also come on when the door is opened.

SHELVING CONFIGURATION

Shelving Configuration

Your Lynx Grills appliance is equipped with full extension ball bearing shelf glides to provide maximum access and visibility for the product stored on the shelving arrangement listed below.

Single Zone Wine Cellar:
15" (38.1 cm) Wide models:
(6) 4 bottle wire racks

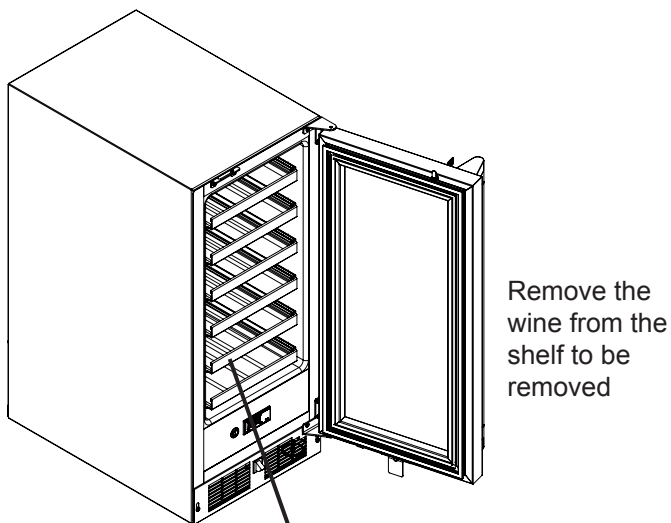


Figure 14

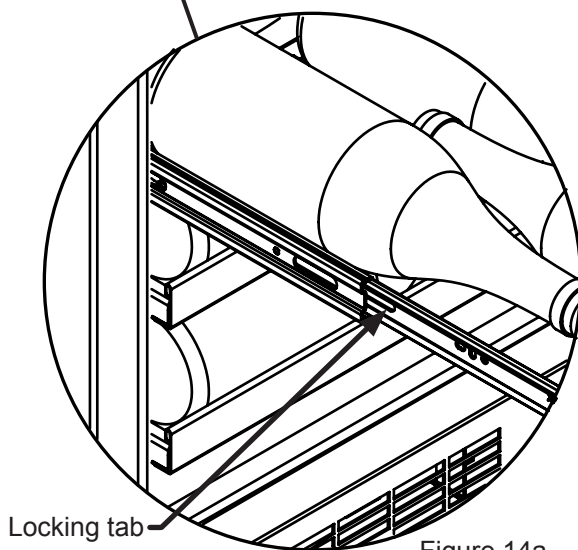


Figure 14a

To Add or Remove a Shelf

CAUTION

Never try to remove a loaded shelf, remove everything from the shelf before removing. Use both hands when removing the shelf.

To remove a shelf:

Extend the shelf out of the cabinet until it stops.

Unload the shelf (see Figure 14).

Depress the locking tabs on both sides of the shelf and pull the shelf straight out (see Figure 14a). When the shelf is removed, push the extended cabinet mounted shelf extensions back into the cabinet.

To re-install a shelf:

Pull out the cabinet mounted shelf extensions to assist the engagement with the wire rack shelf.

Insert the wire rack side track into the cabinet mounted shelf extensions on both sides.

Push the wire rack completely into the cabinet to engage the locking tabs.

Pull the shelf out, (unloaded), to verify the wire rack is locked into the side rails. If the wire rack falls out, the locking tabs are not engaged; repeat the installation.

Load the shelf as required.

CARE AND CLEANING

Front Grille

Be sure that nothing obstructs the required air flow openings in front of the cabinet. At least once or twice a year, brush or vacuum lint and dirt from the front grille area (see page 4).



CAUTION

SHOCK HAZARD: Disconnect electrical power from the appliance before cleaning with soap and water.

Cabinet

The stainless steel cabinet can be washed with either a mild soap and water and thoroughly rinsed with clear water. See "Stainless Steel Maintenance" on page 15.

Interior

Wash interior compartment with mild soap and water. Do NOT use an abrasive cleaner, solvent, polish cleaner or undiluted detergent.

Care of Appliance

1. Avoid leaning on the door, you may bend the door hinges or tip the appliance.
2. Exercise caution when sweeping, vacuuming or mopping near the front of the appliance. Damage to the grille can occur.
3. Periodically clean the interior of the appliance as needed.

In the Event of a Power Failure

If a power failure occurs, try to correct it as soon as possible. Minimize the number of door openings while the power is off so as not to adversely affect the appliance's temperature.

Light Assembly Replacement

All models use LED lamps to illuminate the interior of the appliance. This component is very reliable, but should one fail, contact a qualified service technician for replacement of the LED.



WARNING

Electrocution Hazard

- Never attempt to repair or perform maintenance on the appliance until the main electrical power has been disconnected. Turning the appliance control "OFF" does not remove electrical power from the unit's wiring.
- Replace all parts and panels before operating.

CARE AND CLEANING

Long Term Storage/Winterization

1. Time to Winterize, when the daily low ambient temperature is at or below 38°F (3.3°C).



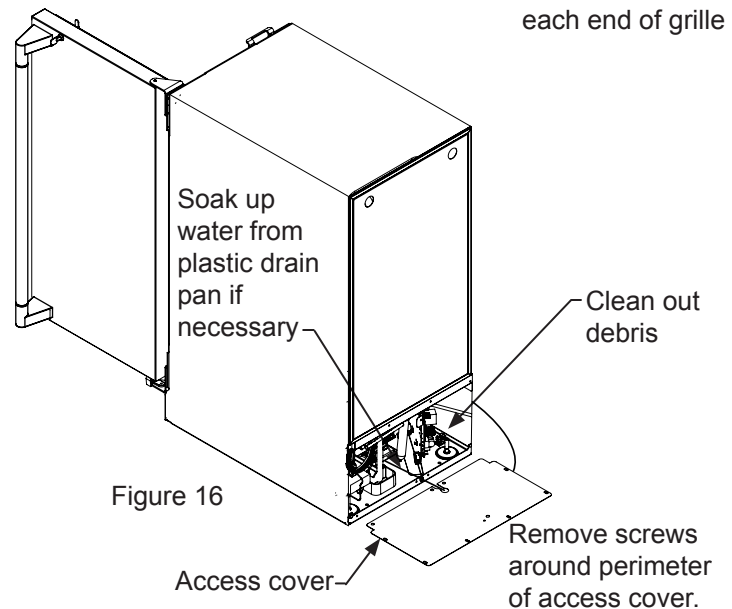
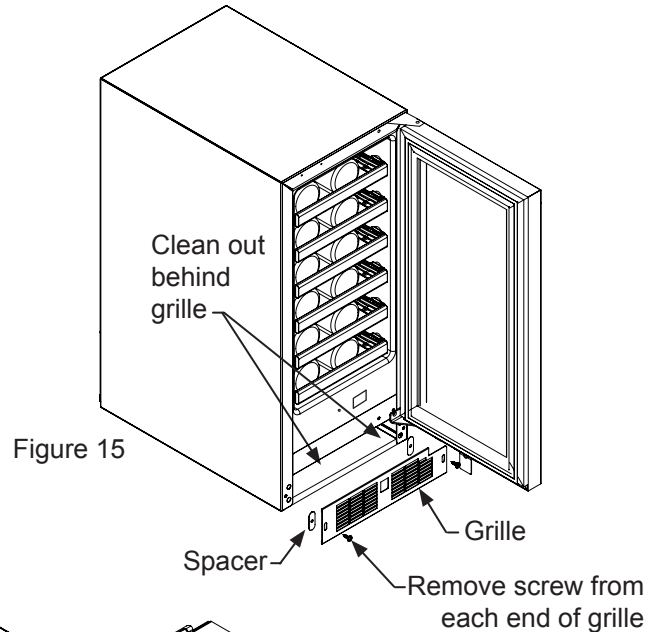
CAUTION

Operation of the unit at ambient temperatures below the recommended Winterization temperature will void your warranty.

2. Turn unit off, (see page 10)
3. Remove all contents.
4. If necessary, move the unit so you can gain access to the rear of the product.
5. Unplug the unit from the power outlet.
6. It is also recommended that the power to the outlet be turned-off if the circuit is not required for other items during the Winter season.
7. When cleaning unit pay particular attention to any cracks and crevices that may have accumulated dirt and debris.
8. Remove the front toe-grille, (see Figure 15), and use a brush and vacuum to clean dirt and debris from beneath the unit.
9. Thoroughly clean the toe-grille and re-install on the unit. (See Figure 15).
10. Remove the rear access cover, (see Figure 16), and use a brush and vacuum to clean dirt and debris from the machine compartment.
 - If the plastic defrost drain pan located under the compressor contains water, use a sponge to remove as much water as possible.
11. Thoroughly clean the rear access cover and re-install on the unit.
12. Wipe down all interior surfaces with anti-bacterial cleaner to be followed with clean rinse water to remove any residual chemicals which could cause staining. Do not use any abrasive cleaners or scouring pads.
13. Leave the door open and allow to completely dry out before closing the door.
14. Thoroughly clean the door gasket with anti-bacterial cleaner to be followed with clean rinse water to remove any residual chemicals.
15. Thoroughly clean the exterior with a cleaner approved for stainless steel. Do not use any abrasive cleaners or scouring pads. See "Stainless Steel Maintenance" on page 15.
16. Any mounting hardware / fasteners that are showing signs of corrosion should be replaced.
17. Once the exterior has been thoroughly cleaned, you may want to apply a coating of car wax to help protect against spotting from moisture, dirt, and debris that may accumulate on the surfaces during the Winterization period.

18. Do not place a cover on the unit, as this can trap condensation.

After completion of the above, you may choose to store the unit indoors, although this is not required.



Start-up after Long Term Storage

1. If stored outside, it is recommended that the unit again be thoroughly inspected per the storage instructions above to address any dirt or debris from the weather and/or animals/insects.
2. Connect the unit to electrical power.
3. Turn unit on and confirm your desired control settings.
4. Allow 24-hrs for the unit to stabilize before loading contents.

STAINLESS STEEL MAINTENANCE

Background

Stainless steel does not stain, corrode, or rust as easily as ordinary steel, but it is not stain or corrosion proof. Stainless steels can discolor or corrode if not maintained properly.

Stainless steels differ from ordinary carbon steels by the amount of chromium present. It is this chromium that provides an invisible protective film on the surface called chrome-oxide. This protective chrome-oxide film on the surface can be damaged or contaminated, which may result in discoloration, staining, or corrosion of the base metal.

Care and Cleaning

Routine cleaning of the stainless steel surfaces will serve to greatly extend the life of your product by removing contaminants. This is especially important in coastal areas which can expose the stainless to severe contaminants such as halide salts, (sodium chloride).

It is strongly recommended to periodically inspect and thoroughly clean crevices, weld points, under gaskets, rivets, bolt heads, and any locations where small amounts of liquid could collect, become stagnant, and concentrate contaminants. Additionally, any mounting hardware that is showing signs of corrosion should be replaced.

Frequency of cleaning will depend upon the installation location, environmental, and usage conditions.

Choosing a Cleaning Product

The choice of a proper cleaning product is ultimately that of the consumer, and there are many products from which to choose. Depending upon the type of cleaning and the degree of contamination, some products are better than others.

Typically the most effective and efficient means for routine cleaning of most stainless steel products is to give the surfaces a brisk rubbing with a soft cloth soaked in warm water and a gentle detergent, or mild mixture of ammonia. Rubbing should, to the extent possible, follow the polish lines of the steel, and always insure thorough rinsing after cleaning.

Although some products are called "stainless steel cleaners," some may contain abrasives which could scratch the surface, (compromising the protective chrome-oxide film), and some many contain chlorine bleach which will dull, tarnish or discolor the surface if not completely removed.

After the stainless surfaces have been thoroughly cleaned, a good quality car wax may be applied to help maintain the finish.

NOTE

Stainless steel products should never be installed, or stored in close proximity to chlorine chemicals.

Whichever cleaning product you chose, it should be used in strict accordance with the instructions of the cleaner manufacturer.

ENERGY SAVING TIPS AND OBTAINING SERVICE

Energy Saving Tips

The following suggestions will minimize the cost of operating your refrigeration appliance.

1. Do not install your appliance next to a hot appliance (cooker, dishwasher, etc.), heating air duct, or other heat sources.
2. Install product out of direct sunlight.
3. Ensure the front grille vents at front of appliance beneath door are not obstructed and kept clean to allow ventilation for the refrigeration system to expel heat.
4. Plug your appliance into a dedicated power circuit. (Not shared with other appliances).
5. When initially loading your new product, or whenever large quantities of warm contents are placed within refrigerated storage compartment, minimize door openings for the next 12 hours to allow contents to pull down to compartment set temperature.
6. Maintaining a relatively full storage compartment will require less appliance run time than an empty compartment.
7. Ensure door closing is not obstructed by contents stored in your appliance.
8. Allow hot items to reach room temperature before placing in product.
9. Minimize door openings and duration of door openings.
10. Use the warmest temperature control set temperature that meets your personal preference and provides the proper storage for your stored contents.
11. When on vacation or away from home for extended periods, set the appliance to warmest acceptable temperature for the stored contents.
12. Set the control to the "off" position if cleaning the appliance requires the door to be open for an extended period of time.
13. For wine storage products:
When serving temperatures are not required, return the compartment(s) set temperature to the ideal red and white wine long term storage temperature of 13°C / 55°F.

If Service is Required:

- If the product is within the first year warranty period please contact your dealer or call Lynx Grills Customer Service at 888.289.5969 for directions on how to obtain warranty coverage in your area.
- If the product is outside the first year warranty period, Lynx Grills Customer Service can provide recommendations of service centers in your area.
- In all correspondence regarding service, be sure to give the service/model number, serial number, and proof of purchase.
- Try to have information or description of nature of the problem, how long the appliance has been running, the room temperature, and any additional information that may be helpful in quickly solving the problem.
- Table "A" is provided for recording pertinent information regarding your product for future reference.

For Your Records	
Date of Purchase	
Dealer's name	
Dealer's Address	
Dealer's City	
Dealer's State	
Dealer's Zip Code	
Appliance Serial Number	
Appliance Service/Model Number	
Date Warranty Card Sent (Must be within 10 days of purchase).	

Table A

TROUBLESHOOTING

Before You Call for Service

If the appliance appears to be malfunctioning, read through this manual first. If the problem persists, check the troubleshooting guide below. Locate the problem in the guide and refer to the cause and its remedy before calling for service. The problem may be something very simple that can be solved without a service call. However, it may be required to contact your dealer or a qualified service technician.



WARNING

Electrocution Hazard

- Never attempt to repair or perform maintenance on the appliance until the main electrical power has been disconnected. Turning the appliance control "OFF" does not remove electrical power from the unit's wiring.
- Replace all parts and panels before operating.



CAUTION

In the unlikely event you lose cooling in your unit, **do not unplug the product from the electric supply**, but do call a qualified service technician immediately. It is possible that the loss of cooling capacity is a result of excessive frost build-up on the evaporator cooling coil. In this case, removing power to the unit will result in the melting of this excessive quantity of ice, which could generate melt water that exceeds the capacity of the defrost drain system and could result in water damage to your home. The end-user will be ultimately responsible for any water damage caused by prematurely turning the unit off without appropriately managing the excess water run-off.

Problem	Possible Cause	Remedy
Appliance not cold enough (See "setting the temperature" on page 10)	• Control set too warm	• Adjust temperature colder. Allow 24 hours for temperature to stabilize.
	• Content temperature not stabilized.	• Allow temperature to stabilize for at least 24 hours.
	• Excessive usage or prolonged door openings.	• Airflow must not be obstructed to front grille. See "clearances" on page 4.
	• Airflow to front grille blocked.	• Replace door gasket.
Appliance too cold (See "setting the Temperature" on page 10)	• Door gasket not sealing properly.	• Adjust temperature warmer. Allow 24 hours for temperature to stabilize.
	• Control set too cold	• Replace door gasket.
No interior light.	• Failed LED light assembly or light switch.	• Contact a qualified service technician.
Light will not go out when door is closed	• Display light is turned on. (Glass door models only.)	• Turn off display light, shut door.
	• Door not activating light switch.	• Appliance not level, level appliance, (See page 4, "leveling legs")
	• Failed light switch	• Contact a qualified service technician.
Noise or Vibration	• Appliance not level	• Level appliance, see "Leveling Legs" on page 4.
	• Fan hitting tube obstruction.	• Contact a qualified service technician.
Appliance will not run.	• Appliance turned off	• Turn appliance on. See "Starting your wine cellar" on page 10.
	• Power cord not plugged in.	• Plug in power cord.
	• No power at outlet.	• Check house circuit.

THE LYNX STORY

Lynx began with a vision.

A small group of manufacturing engineers with over a century of collective experience had a dream. They dared to take their extensive commercial manufacturing know-how and create a line of outdoor cooking products that offer commercial elegance and performance to the consumer market.



Lynx has taken the quality, workmanship, service and innovation of the commercial market and incorporated it into the Lynx Professional Grills line of consumer and commercial products. The combination of creative design, superior materials and exceptional craftsmanship elevates Lynx products to a class of their own.

Lynx original commercial products are used every day in restaurants, hotels and theme parks across the USA:

Lynx Satisfied Customers

- TGI Fridays
- Applebee's
- Houston's
- Red Lobster
- Hard Rock Café
- Wolfgang Puck's
- Cheesecake Factory
- Red Robin
- Planet Hollywood
- Hilton
- Hyatt
- Four Seasons Marriott
Le Meridian
- Sheraton
- Conrad International
- Bellagio
- New York New York
- MGM Grand
- Treasure Island
- Mirage
- Paris
- Venetian
- Excalibur
- Mandalay Bay
- Riviera
- Desert Inn
- Hard Rock Hotel
- Disney World



The best outdoor kitchen products come from:
Lynx Grills, Inc. 7300 Flores Street Downey, CA 90242
Service: (888)-289-5969 Fax: (562) 299-6789
www.lynxgrills.com

PROFITEZ AU MAXIMUM DE VOTRE



LM15WINE
CELLIER D' EXTÉRIEUR

ENTRETIEN ET UTILISATION / INSTALLATION

CONTENU

Contenu

Informations de sécurité.....	2
Déballage de votre appareil	3
Enregistrement de la garantie	3
Installation de votre appareil	4
Dégagements par rapport à l'armoire	4
Mise à niveau de l'appareil	4
Raccordement électrique.....	5
Installation du dispositif anti-basculement.....	6
Dimensions du produit.....	8
Utilisation de votre commande électronique	10
Démarrage de votre appareil	10
Mise en marche et arrêt de votre appareil	10
Réglage de la température	10
Alertes.....	10
Configurations de étagères	12
Entretien et nettoyage	13
Entreposage de longue durée / préparation à l'hivernage	14
Entretien de l'acier inox.....	15
Conseils pour l'économie d'énergie	16
Obtention de service	16
Dépannage.....	17
L'histoire de Lynx	18

Importantes instructions de sécurité

Les avertissements et les instructions de sécurité qui apparaissent dans ce guide n'ont pas la prétention de couvrir toutes les conditions et situations possibles pouvant arriver. Il faut faire preuve de bon sens, de précautions et de soins, pour installer, utiliser ou entretenir cet appareil.

Reconnaissance des symboles, des mots et des étiquettes concernant la sécurité.



AVERTISSEMENT

AVERTISSEMENT - Risque possible de décès ou de blessure grave si vous ne suivez pas les instructions.



ATTENTION

ATTENTION - Risques ou pratiques dangereuses pouvant entraîner des blessures individuelles, des dégâts matériels ou des dommages au produit.

REMARQUE

REMARQUE - Information importante pour réaliser une installation et une utilisation sans problèmes.



AVERTISSEMENT

Avertissements de la proposition 65 de l'État de Californie : Ce produit contient au moins un produit chimique connu par l'État de Californie pour être à l'origine de cancers.



AVERTISSEMENT

Avertissements de la proposition 65 de l'État de Californie : Ce produit contient au moins un produit chimique connu par l'État de Californie pour être à l'origine de malformations et autres déficiences de naissance.

DÉBALLAGE DE VOTRE APPAREIL



AVERTISSEMENT

AVERTISSEMENT RISQUE DE POIDS EXCESSIF

Utilisez deux personnes ou plus pour déplacer le produit.
Sinon vous pourriez vous blesser.

Enlèvement de l'emballage intérieur

Votre réfrigérateur a été emballé pour l'expédition avec toutes les pièces pouvant être endommagées par le mouvement solidement attachées. Enlevez les matériaux d'emballage intérieur et toute bande maintenant des composants intérieurs en place. Le manuel de l'utilisateur est envoyé à l'intérieur de l'appareil dans un sac en plastique, accompagné de la carte d'enregistrement de la garantie, et d'autres articles accessoires.

Important

Conservez votre carton d'emballage jusqu'à ce que votre réfrigérateur ait été complètement inspecté et trouvé en bon état. S'il présentait des dommages, cet emballage serait nécessaire comme preuve qu'ils sont survenus durant le transit. Ensuite veuillez mettre tous ces matériaux d'emballage au rebut d'une façon responsable.



AVERTISSEMENT

AVERTISSEMENT - Jetez bien les sacs en plastique qui représentent un risque de suffocation.

Note pour le client

Cette marchandise a été soigneusement et complètement inspectée avant de quitter notre usine. La responsabilité pour sa livraison sûre a été assumée par le revendeur à l'acceptation de cette expédition. Les réclamations pour perte ou dommages survenus durant le transit sont à adresser au revendeur.

REMARQUE

NE RENVOYEZ PAS DE MARCHANDISE ENDOMMAGÉE AU FABRICANT – DÉPOSEZ UNE RÉCLAMATION AUPRÈS DU REVENDEUR.



ATTENTION

Si l'appareil a été livré, manipulé ou entreposé dans une position autre que debout, pendant une durée quelconque, laissez-le reposer debout pendant au moins 24 heures avant de la brancher électriquement. Cela assurera le retour de l'huile au compresseur. Un branchement immédiat de l'appareil pourrait endommager des parties internes.

Enregistrement de la garantie

Il est important que vous postiez votre carte de garantie immédiatement après avoir pris livraison de votre réfrigérateur.

Les informations suivantes seront nécessaires au moment de l'enregistrement de votre appareil :

Numéro de service/modèle

Numéro de série

Date d'achat

Nom et adresse du revendeur

Le numéro de service/modèle et le numéro de série se trouvent sur la plaque signalétique qui est située à l'intérieur de l'armoire, du côté gauche près du haut (Voyez la Figure 1).

LYNX GRILLS, INC DOWNEY, CA 90242	
MODEL NO.	XXXXXXXXXXXXXX
SERVICE NO.	XXXXXXXXXXXXXX
SERIAL NO.	XXXXXXXXXXXXXX
HZ	<input type="checkbox"/>
VOLTS	<input type="checkbox"/>
AMPS	<input type="checkbox"/>
R134A	<input type="checkbox"/>
oz	<input type="checkbox"/>
DESIGN PRESSURES 140 PSI LOW SIDE 300 PSI HIGH SIDE	

Figure 1



AVERTISSEMENT

AVERTISSEMENT - Contribuez à éviter des tragédies

L'emprisonnement d'enfants et leur asphyxie ne sont pas des problèmes du passé. Des épaves de réfrigérateurs abandonnés continuent de présenter un danger - même en restant dehors pour «juste quelques heures».

Si vous devez vous débarrasser de votre vieil appareil de refroidissement, veuillez suivre ces instructions pour aider à éviter des accidents possibles.

Avant de jeter votre vieux réfrigérateur ou congélateur :

- Démontez ses portes ou enlevez ses tiroirs.
- Laissez les étagères en place de façon à ce que des enfants ne puissent pas facilement monter dedans.

INSTALLATION DE VOTRE APPAREIL

Choix de l'emplacement

Un bon emplacement assurera une performance de pointe pour votre appareil. Nous recommandons un endroit où l'appareil ne sera pas exposé directement au rayonnement solaire et restera écarté de sources de chauffage. Pour assurer que les performances de votre produit soient au niveau de ses spécifications, la plage de températures recommandée au lieu d'installation sera de 55 à 115°F (13 à 46°C).

Dégagements par rapport à l'armoire

Une ventilation est nécessaire depuis la section frontale du bas de l'armoire. Gardez cette zone libre et exempte de toutes obstructions. Des meubles et comptoirs peuvent être installés autour de l'unité de façon adjacente dans la mesure où sa grille frontale restera non obstruée.

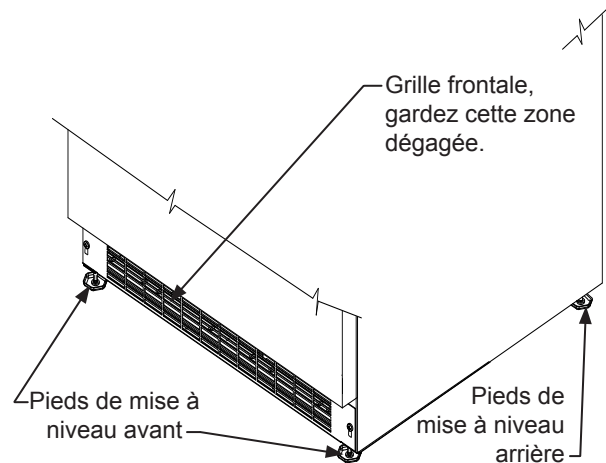


Figure 2

Pieds de mise à niveau

Des pieds réglables aux angles avant et arrière de l'armoire doivent être ajustés pour qu'elle soit fermement positionnée au sol et bien d'aplomb, d'un côté à l'autre et d'avant en arrière. La hauteur totale de votre appareil peut être ajustée entre le minimum 33 $\frac{3}{4}$ po (85,7 cm) (en vissant les pieds de mise à niveau CW ↻) et le maximum 34 $\frac{3}{4}$ po (88,3 cm) (en dévissant les pieds de mise à niveau CCW ↻) des.

Pour régler ces pieds de mise à niveau, placez l'appareil sur une surface solide, en protégeant le sol en dessous pour ne pas le rayer. Avec l'aide d'une autre personne, inclinez vers l'arrière de l'appareil pour accéder aux pieds de mise à niveau de l'avant. Levez ou abaissez ces pieds à la hauteur requise en les tournant. Répétez la procédure pour les pieds arrière en inclinant le cave à vin vers l'avant en faisant attention. Sur une surface plane, vérifiez le niveau de l'appareil et ajustez les pieds en conséquence.

Les vis de la grille frontale peuvent être desserrées et la grille ajustée à la hauteur voulue. Quand le réglage est fait resserrez les vis de la grille frontale (Voyez la Figure 5).



ATTENTION

Grille frontale

N'obstruez pas la grille frontale. Les ouvertures au travers de la grille frontale permettent l'écoulement de l'air par l'échangeur thermique du condenseur. Des restrictions de ce flux d'air vont augmenter la consommation d'énergie et affecter sa capacité de refroidissement. C'est pourquoi il est important que cette zone ne soit pas obstruée et soit maintenue propre. Lynx Grills recommande de ne pas utiliser de grilles personnalisées, car l'écoulement d'air en serait diminué (Voyez la Figure 2).

INSTALLATION DE VOTRE APPAREIL

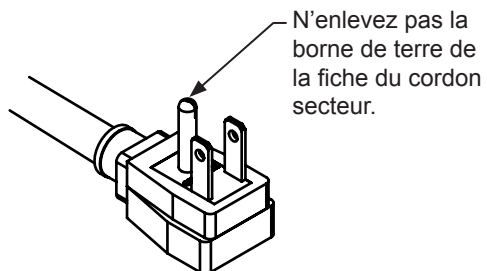


Figure 3

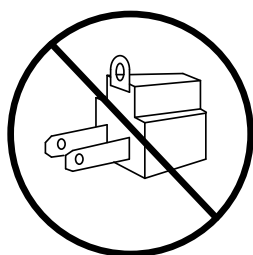


Figure 4

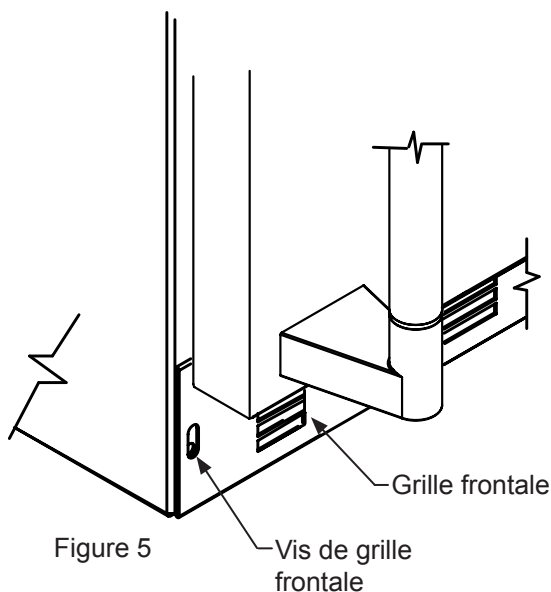


Figure 5

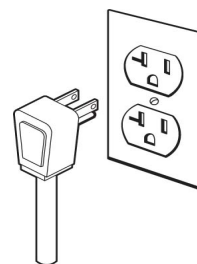


Figure 6



AVERTISSEMENT

Risque de commotion électrique

- N'utilisez pas de rallonge secteur avec cet appareil. Cela peut être dangereux et peut affecter la performance du produit.
- Cet appareil ne doit sous aucun prétexte être installé sur une alimentation électrique sans liaison de terre.
- N'enlevez pas la borne de terre de la fiche du cordon secteur. (Voyez la Figure 3).
- N'utilisez pas d'adaptateur entre fiche et prise. (Voyez la Figure 4).
- N'envoyez pas d'eau par éclaboussure ou par jet d'un tuyau sur l'appareil. Cela pourrait causer une commotion électrique, entraînant potentiellement des blessures graves voire mortelles.

Raccordement électrique

Un circuit secteur dédié en 115 V supportant 15 A est nécessaire.

Ce produit est équipé en usine d'un cordon secteur comportant une fiche avec terre à trois broches. Il faut la brancher dans une prise secteur correspondante avec terre, en conformité avec la norme électrique américaine et les normes et réglementations locales applicables (Voyez la Figure 6). Si le circuit ne comporte pas une prise avec terre, le client doit en fournir une adéquate; c'est sa responsabilité et son obligation. La troisième broche de terre ne doit en aucun cas être coupée ou enlevée.

REMARQUE

Un disjoncteur sur détection de courant de fuite (GFCI) a tendance à provoquer des déclenchements intempestifs qui peuvent arrêter l'appareil. Ce type de protection n'est en général pas utilisé sur de l'équipement électrique qui doit tourner sans surveillance pendant de longues périodes, sauf si c'est imposé par les normes de construction et réglementations locales.

INSTALLATION DU DISPOSITIF ANTI-BASCULEMENT POUR DES INSTALLATIONS AUTONOMES



AVERTISSEMENT



- TOUS LES APPAREILS PEUVENT BASCULER. IL PEUT EN RÉSULTER DES BLESSURES



- INSTALLER LE DISPOSITIF ANTI-BASCULEMENT LIVRÉ AVEC L'APPAREIL
- SUIVEZ LES INSTRUCTIONS CI-DESSOUS

Dispositif anti-basculement

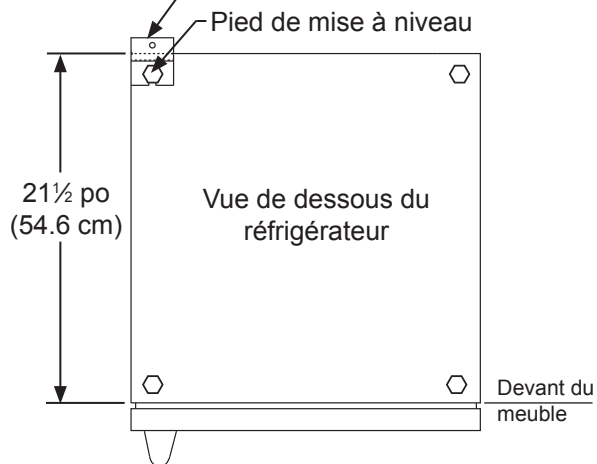


Figure 7

Dispositif anti-basculement



AVERTISSEMENT

Si votre réfrigérateur n'est pas placé sous un plan de travail (autonome), vous devez utiliser un dispositif anti-basculement placé selon les instructions qui suivent. S'il est bougé de sa position pour une quelconque raison, assurez-vous que ce dispositif est correctement engagé quand vous remettez l'appareil à sa place d'origine. Si le dispositif n'est pas convenablement engagé, il y a un risque que le réfrigérateur bascule avec la possibilité de dégâts matériels ou de blessures corporelles.

REMARQUE

En cas d'installation sur un sol en béton, des chevilles pour béton sont nécessaires (non fournies avec le kit anti-basculement).



ATTENTION

Toute finition de sol doit être protégée avec une matière appropriée pour éviter de l'endommager en bougeant l'appareil.

Installation avec montage au sol

La ferrure anti-basculement doit être placée sur le sol à l'angle de droite ou de gauche de l'arrière du réfrigérateur, comme c'est montré en Figure 7.

Instructions pas à pas

pour définir la position de la ferrure :

1) Décidez de l'endroit où vous désirez placer le réfrigérateur. Glissez-le en place, en faisant attention de ne pas endommager le sol, en laissant 1 po (2,5 cm) de dégagement depuis le mur arrière pour laisser de la place pour la ferrure anti-basculement.

2) Soulevez les pieds de mise à niveau arrière d'environ $\frac{1}{4}$ po (6 mm) pour permettre l'engagement dans la ferrure anti-basculement. Mettez de niveau l'ensemble en ajustant les pieds de mise à niveau selon le besoin. Le fait de tourner ces pieds en sens antihoraire soulève l'appareil, et l'abaisse en les tournant en sens horaire.

3) Assurez-vous que le réfrigérateur est bien à la place voulue, puis marquez sa position sur le sol correspondant à l'arrière et l'angle de côté du meuble où la ferrure anti-basculement sera installée. Si l'installation ne permet pas le marquage à l'angle arrière du meuble, tracez des lignes temporaires au sol en repérant l'endroit de l'angle avant du meuble, sans tenir compte de la porte. Glissez le réfrigérateur hors de cet emplacement. Depuis la ligne temporaire prolongez la ligne de côté vers l'arrière de $21\frac{1}{2}$ po (54,6 cm) comme c'est montré en Figure 8.

4) Alignez la ferrure anti-basculement avec les marquages au sol de façon à ce que son bord soit aligné avec la ligne de côté du meuble, et que ses encoches en «V» soient alignées avec la fin de la ligne tracée de $21\frac{1}{2}$ po (54,6 cm) (Ligne à l'arrière de l'armoire).

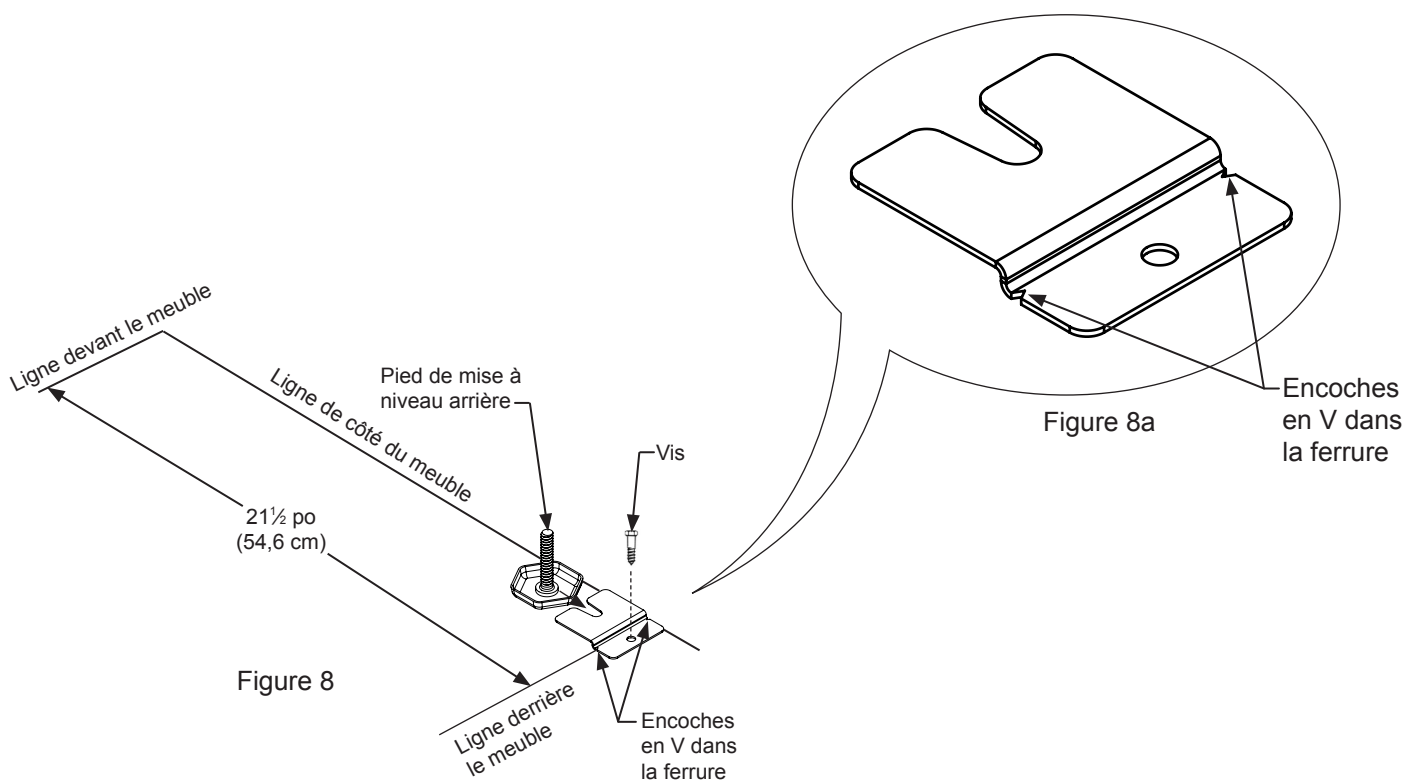
5) Fixez la ferrure anti-basculement au sol en utilisant la vis fournie (Voyez la Figure 8).

6) Glissez le meuble pour le remettre en place, en vous assurant que le pied de mise à niveau se glisse sous la ferrure anti-basculement en engageant la fente.

INSTALLATION DU DISPOSITIF ANTI-BASCULEMENT POUR DES INSTALLATIONS AUTONOMES

REMARQUE

Quand la ferrure anti-basculement fixée au sol est utilisée, la hauteur minimale ajustée de l'armoire est augmentée de $\frac{3}{8}$ po (9 mm).



DIMENSIONS DU PRODUIT

MODÈLE	DIMENSIONS D'OUVERTURE BRUTE			DIMENSIONS D'ARMOIRE					
	«A»	«B»	«C»	«D»	«E»	«F»	«G»	«H»	«J»
LM15WINE	15 po (38,1 cm)	**34 po to 35 po (86,4 to 88,9 cm)	*	14 ⁷ / ₈ po (37,8 cm)	33 ³ / ₄ po to 34 ³ / ₄ po (85,7 to 88,3 cm)	23 ²³ / ₃₂ po (60,2 cm)	26 ³ / ₄ po (67,9 cm)	37 ¹³ / ₃₂ po (95 cm)	17 ³ / ₄ po (45,1 cm)

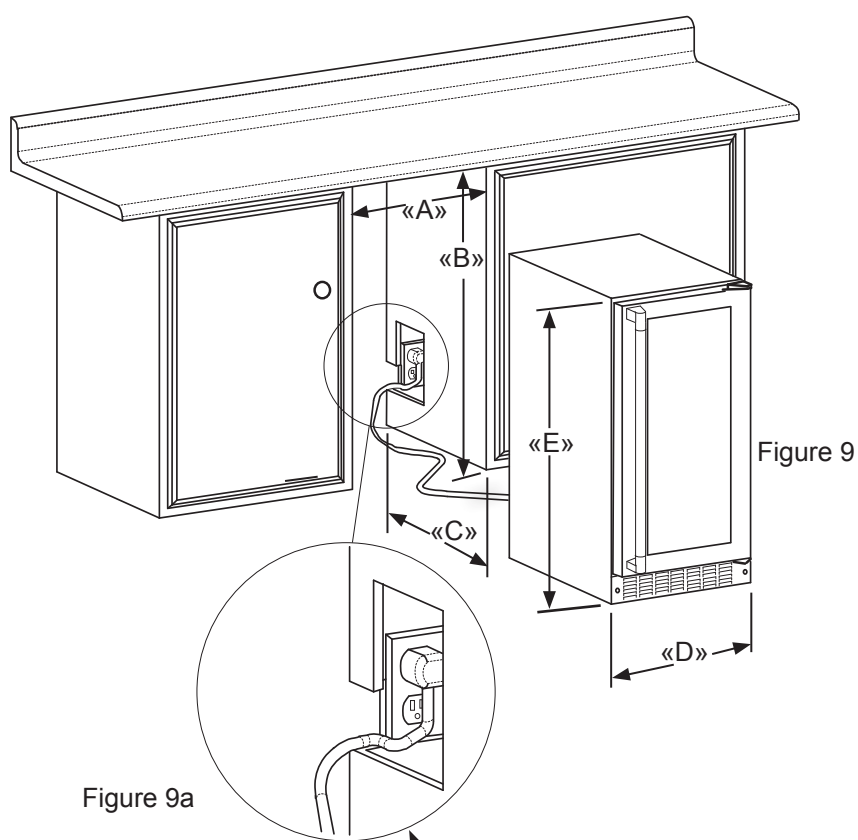


Figure 10

S'il est nécessaire de gagner du dégagement à l'intérieur de l'ouverture brute, un trou peut être percé au travers du meuble adjacent et le cordon d'alimentation passé par ce trou jusqu'à une prise secteur. Une autre façon d'augmenter la profondeur disponible dans l'ouverture est d'encaster la prise secteur dans le mur arrière afin de gagner l'épaisseur de la fiche du cordon.

Tous les types de prises secteur encastrées ne fonctionneront pas pour cette application car elles pourraient être trop étroites, mais un modèle équivalent à l'Arlington #DVFR1W est recommandé pour cette application (Voyez la Figure 10).

DIMENSIONS DU PRODUIT

MODÈLE	DONNÉES DE PRODUIT	
	BESOINS ÉLECTRIQUES #	POIDS DU PRODUIT
LM15WINE	115V/60Hz/15A	105 lbs (47.7 kg)

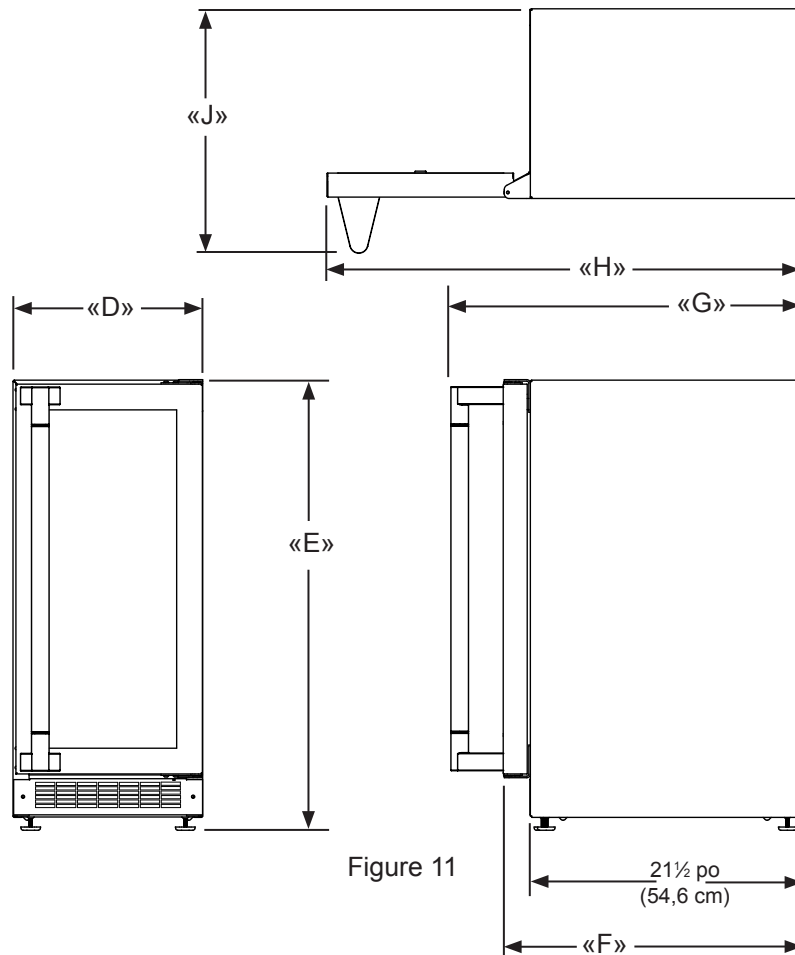


Figure 11

* La dimension en profondeur de l'ouverture brute peut varier selon chaque installation individuelle. Pour ne pas faire dépasser toute la porte, la dimension «F» plus 1 po (2,5 cm) pour l'épaisseur de la fiche du cordon secteur est nécessaire.

** L'ouverture brute minimale nécessaire doit être supérieure à la hauteur ajustée de l'armoire.

Un circuit secteur dédié avec liaison de terre supportant 15 A est nécessaire. Appliquez toutes les normes de construction locales à l'installation de l'électricité et de l'appareil.

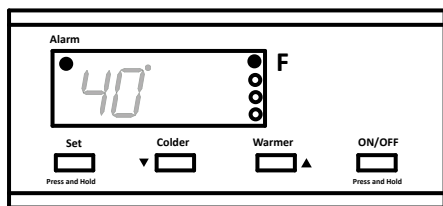


AVERTISSEMENT

La ferrure anti-basculement doit être installée pour des applications autonomes. Non nécessaire pour des applications intégrées.

UTILISATION DE VOTRE COMMANDE ÉLECTRONIQUE

Figure 12
Vue rapprochée
du contrôle



Démarrage de votre réfrigérateur

Branchez la prise du cordon d'alimentation du réfrigérateur dans une prise murale. Votre réfrigérateur commencera à refroidir une fois qu'il est sous tension. Si votre réfrigérateur ne démarre pas, vérifiez qu'il est bien en marche (ON) et que la consigne de température est suffisamment basse.

Mise en marche et à l'arrêt de votre réfrigérateur

Si votre réfrigérateur est en marche, sa température sera montrée sur l'afficheur. Pour arrêter le réfrigérateur, appuyez sur le bouton «ON/OFF» en le maintenant enfoncé pendant trois (3) secondes. «OFF» va apparaître à l'affichage.

Si votre réfrigérateur n'est pas en marche, «OFF» sera montré sur l'afficheur. Pour activer le réfrigérateur, appuyez sur le bouton «ON/OFF» en le maintenant enfoncé pendant trois (3) secondes. La température du réfrigérateur sera montrée à l'affichage.

Fixation de consigne de température

Pour fixer la consigne de température du réfrigérateur, appuyez sur le bouton «SET» en le maintenant enfoncé. Quand ce bouton est enfoncé, c'est la température de consigne qui est affichée. En maintenant le bouton «SET» appuyé, appuyez sur le bouton «WARMER» ou «COLDER» pour ajuster la consigne de température.

Fonctionnement du réfrigérateur

La plage de températures disponible pour cet appareil de refroidissement va de 40°F (4.5°C) to 65°F (18.4°C).

Il peut falloir jusqu'à 24 heures pour que votre réfrigérateur atteigne la température voulue. Cela dépendra de la quantité chargée dedans, et du nombre d'ouvertures et de fermetures de sa porte.

Pour obtenir les meilleurs résultats, laissez l'appareil descendre à la température de consigne avant de le charger. Une fois le contenu chargé, laissez la température se stabiliser au moins 48 heures avant de procéder à tout ajustement du point de consigne.

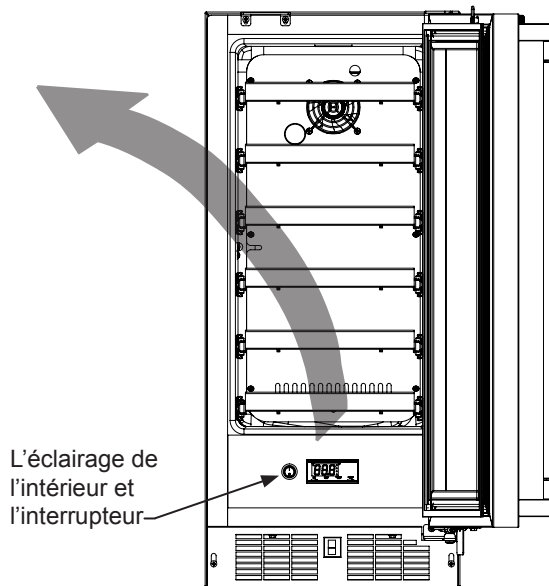


Figure 13

Alertes

Votre commande électronique va surveiller le fonctionnement du réfrigérateur et vous prévenir éventuellement avec une série d'alertes sonores et visuelles.



• **Alerte sur porte restée ouverte** : Si la porte est laissée ouverte pour plus de cinq (5) minutes, cette alerte retentit avec des intervalles d'une (1) seconde. L'indication «do» va clignoter au panneau d'affichage et le voyant d'alerte à DEL situé en haut à gauche de l'affichage, sous le mot «Alarm» sera allumé. Cela cesse dès que la porte est refermée.



• **Défaillance du détecteur de température** : Si le contrôleur s'aperçoit que le détecteur de température ne fonctionne pas correctement, une alerte sur détecteur de température retentit. L'indication «E1» va clignoter au panneau d'affichage et le voyant d'alerte à DEL situé en haut à gauche de l'affichage, sous le mot «Alarm» sera allumé. Veuillez appeler le service à la clientèle d'Lynx Grills ou votre revendeur si ce code d'erreur est affiché.



• **Alerte sur température trop haute ou trop basse** : Si la température du compartiment de conservation dévie excessivement du point de consigne, l'alarme retentira en intervalles d'un (1) second. Le panneau d'affichage clignotera soit « HI » (haute) soit « Lo » (basse) selon la condition et le voyant d'alerte à DEL situé en haut à gauche de l'affichage, sous le mot «Alarm» sera allumé. L'alarme restera active jusqu'à ce que la condition soit corrigée.

UTILISATION DE VOTRE COMMANDE ÉLECTRONIQUE

REMARQUE

Après une condition d'alerte de température trop haute, vérifiez toutes les denrées périssables pour assurer qu'elles sont sûres pour la consommation.

REMARQUE

L'alerte de température peut survenir s'il y a une utilisation intensive, ou si des produits chauds sont chargés dans le compartiment de conservation. Si l'alerte de température continue à se produire, votre appareil peut exiger le service.

Mise en sourdine de l'alarme

Actionnez n'importe quelle touche pour mettre en sourdine la partie audible d'une alerte.

REMARQUE

Cette action ne fera que rendre muette l'alerte. Si la condition qui a causé l'alerte persiste, le code de cette alerte va continuer de clignoter et se manifestera malgré tout de façon sonore pendant 20 secondes toutes les 60 minutes.

L'éclairage de l'intérieur et l'interrupteur

La lumière intérieure rend facile de voir vos étiquettes de vin et améliore la présentation de votre collection. Pour activer la fonction d'éclairage d'affichage, appuyer sur l'interrupteur d'éclairage rond, voyez Figure 13. Il se trouve sur le côté gauche de la commande électronique. La lumière s'allume et reste allumé avec la porte fermée jusqu'à ce que l'interrupteur soit pressé de nouveau. La lumière s'allume également lorsque la porte est ouverte.

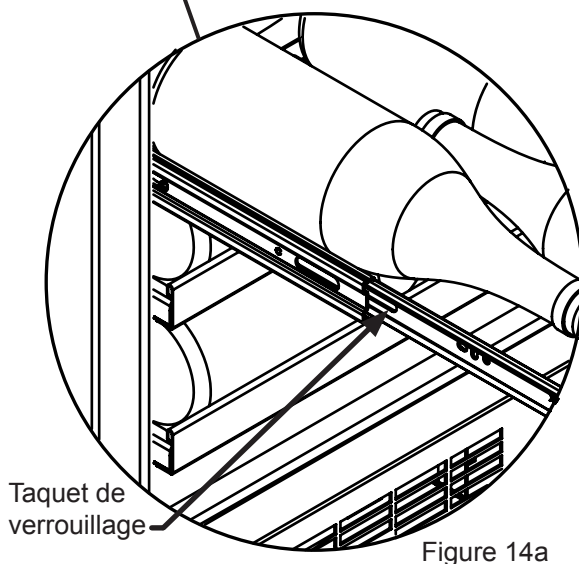
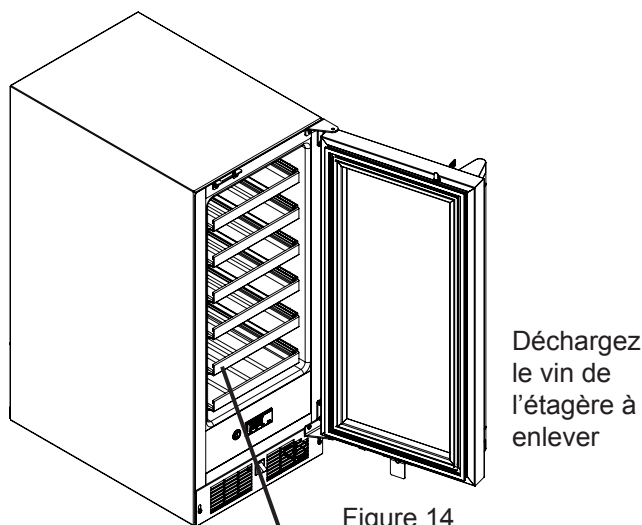
Configurations de étagères

Votre celliers Lynx Grills est équipée d'un système de étagères sur roulements à billes à extension complète qui fournissent un maximum d'accès et de visibilité pour les produits entreposés en fonction des dispositions qui suivent.

Celliers à zone unique :

Modèles de largeur 15 po (38,1 cm) :

(6) étagères grillagées pour 4 bouteilles



Dépose et installation des étagères

ATTENTION

N'essayez jamais de bouger une clayette chargée, évacuez tout ce qu'elle porte avant de la déplacer. Utilisez vos deux mains pour déplacer une étagère.

Pour enlever une étagère :

Sortez la clayette hors de l'armoire jusqu'à l'arrêt.

Déchargez la étagère (voir la Figure 14).

Enfoncez les taquets de verrouillage des deux côtés de la étagère et sortez-la en tirant tout droit (voir la Figure 14a). Quand la étagère est enlevée, repoussez les extensions de étagère s sorties dans l'armoire.

Pour réinstaller une étagère :

Sortez les extensions de clayettes sorties de l'armoire pour aider à l'engagement de la étagère en grillage.

Insérez la étagère à grillage dans les extensions sorties de l'armoire des deux côtés.

Poussez complètement la étagère grillagée dans l'armoire pour engager les taquets de verrouillage.

Tirez la étagère pour la sortir (sans charge) pour vérifier qu'elle est bien verrouillée sur les rails latéraux. Si la étagère grillagée tombe, c'est que les taquets de verrouillage n'étaient pas engagés. Recommencez l'opération.

Chargez la étagère selon le besoin.

ENTRETIEN ET NETTOYAGE

Grille frontale

Assurez-vous que rien n'obstrue les ouvertures pour flux d'air requises à l'avant de l'armoire. Au moins une à deux fois par an, chassez par brossage ou par aspiration les peluches et les saletés dans la zone de la grille avant (Voyez en page 4).



ATTENTION

RISQUE DE COMMOTION ÉLECTRIQUE : Débranchez l'alimentation secteur de l'appareil avant de le nettoyer à l'eau savonneuse.

Armoire

L'armoire peinte peut se laver avec une solution savonneuse douce, puis soigneusement se rincer à l'eau potable. N'utilisez JAMAIS de produits nettoyants abrasifs.

Intérieur

Lavez le compartiment intérieur avec une solution savonneuse douce. N'utilisez pas de nettoyant abrasif, de solvant, de produit nettoyant/polissant ou de détergent non-dilué.

Soins pour l'appareil

1. Évitez de vous appuyer sur la porte, vous pourriez déformer ses charnières ou faire basculer l'appareil.
2. Faites attention quand vous balayez, aspirez ou passez la vadrouille près de l'avant de l'appareil. Vous pourriez endommager sa grille.
3. Nettoyez périodiquement l'intérieur de l'appareil selon le besoin.

En cas de coupure du secteur

Si une panne d'alimentation arrivait, essayez de la corriger le plus tôt possible. Minimisez le nombre d'ouvertures de porte pendant la coupure du secteur afin de ne pas affecter la température dans l'appareil.

Remplacement de l'ensemble d'éclairage

Tous les modèles utilisent de lampes à diodes électroluminescentes (DEL) pour éclairer l'intérieur de l'appareil. Ce type de composant est très fiable, mais en cas de panne contactez un technicien de service qualifié pour le remplacement de l'éclairage à DEL.



AVERTISSEMENT

Risque d'électrocution

- Ne tentez jamais de réparer ou d'exécuter de la maintenance sur l'appareil avant que son alimentation électrique n'ait été débranchée en amont. Passer l'appareil sur arrêt (OFF) n'enlève pas la présence de tension secteur sur les fils de câblage.
- Remettez en place l'ensemble des pièces et panneaux avant de redémarrer.

ENTRETIEN ET NETTOYAGE

Entreposage de longue durée / préparation à l'hivernage

1. C'est le moment de préparer à l'hivernage quand le minimum de température ambiante descend sous les 38°F (3,3 °C)
2. Arrêtez l'appareil (voir en page 10).
3. Videz tous son contenu.



ATTENTION

Faire fonctionner l'appareil à des températures inférieures à ce seuil d'hivernage recommandée annulerait la garantie.

4. Si nécessaire, déplacez l'appareil pour avoir accès à son arrière.
5. Débranchez l'appareil de sa prise secteur.
6. Il est également recommandé que l'alimentation de la prise secteur soit coupée en amont si elle ne doit pas servir pour d'autres appareils pendant cette période d'hivernage.
7. Pendant le nettoyage d'un ensemble faites particulièrement attention à toutes les fissures ou crevasses pouvant avoir accumulé de la saleté et des débris.
8. Enlevez la grille de protection frontale (voir les Figure 15), et utilisez une brosse et un aspirateur pour éliminer la saleté et les débris de sous l'appareil.
9. Nettoyez soigneusement cette grille de protection et réinstallez-la sur l'appareil.
10. Enlevez le couvercle d'accès arrière (voir la Figure 16), et utilisez une brosse et un aspirateur pour éliminer la saleté et les débris du compartiment de la machine.
 - Si le bac en plastique de drainage du dégivrage sous le compresseur contient de l'eau, utilisez une éponge pour en éliminer le plus possible.
11. Nettoyez soigneusement ce couvercle d'accès arrière et réinstallez-le sur l'appareil.
12. Nettoyez toutes les surfaces de l'intérieur avec un produit nettoyant antibactérien, et poursuivez par un rinçage à l'eau claire pour éliminer tous les résidus de produits chimiques qui pourraient tacher. N'utilisez pas de produits nettoyants abrasifs ni de tampons à récurer.
13. Laissez la porte ouverte et attendez le séchage complet avant de la refermer.
14. Nettoyez bien le joint de porte avec un produit nettoyant antibactérien, et poursuivez par un rinçage à l'eau claire pour éliminer tous les résidus de produits chimiques.
15. Nettoyez soigneusement l'extérieur avec un produit nettoyant approuvé pour l'acier inox. N'utilisez pas de produits nettoyants abrasifs ni de tampons à récurer. Voir «entretien de l'acier inox» page 15.
16. Tout matériel de montage ou d'attache présentant des signes de corrosion doit être remplacé.
17. Une fois l'extérieur bien nettoyé, vous pouvez désirer passer une couche de cire automobile pour protéger des taches venant d'humidité, salissures et débris pouvant s'accumuler sur les surfaces pendant la période d'hivernage.
18. Ne placez de couverture sur l'appareil, car cela pourrait emprisonner de la condensation.

Une fois que tout ce qui précède est terminé, vous pouvez décider d'entreposer l'appareil à l'intérieur, mais ce n'est pas une nécessité.

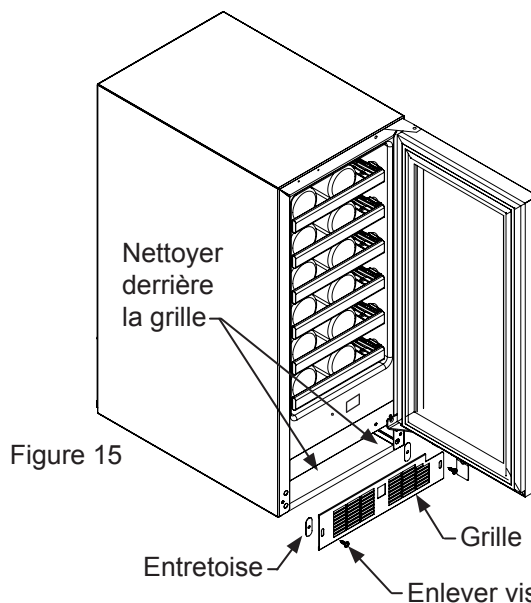


Figure 15

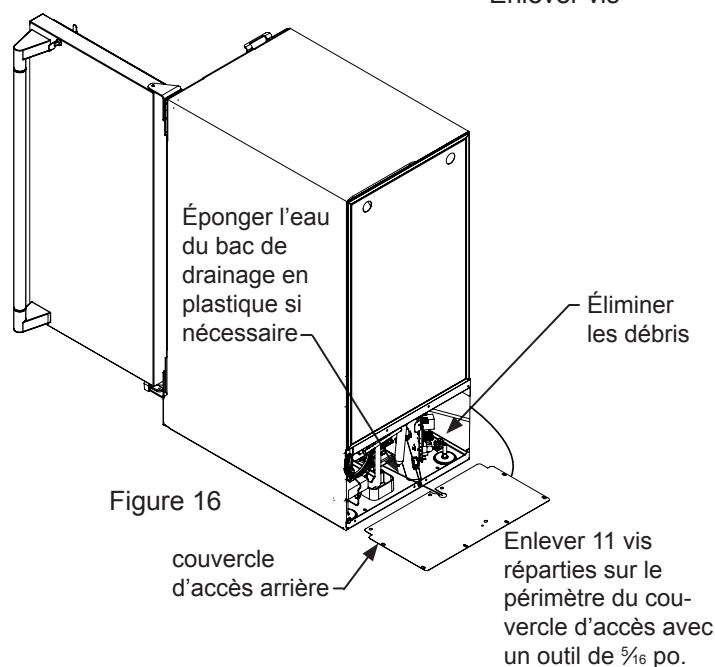


Figure 16

Redémarrage après un entreposage prolongé

1. Connectez l'appareil à l'alimentation secteur.
2. En cas d'entreposage à l'extérieur, il est recommandé que l'appareil soit de nouveau attentivement inspecté avec les instructions d'hivernage qui précèdent pour éliminer tout ce qui est salissure ou débris venant des intempéries ou des animaux/insectes éventuels.
3. Mettez l'appareil en marche et confirmez votre souhait pour les paramètres de contrôle.
4. Laissez l'appareil se stabiliser 24 heures avant de le charger.

ENTRETIEN DE L'ACIER INOX

Contexte

L'acier inox ne se décolore pas, ne se corrode pas et ne rouille pas comme l'acier ordinaire, mais il n'est pas à l'abri des taches ou corrosions. L'acier inox peut se décolorer ou se corroder s'il n'est pas entretenu correctement.

Les aciers inox diffèrent des aciers ordinaires au carbone par leur quantité de chrome présente. C'est ce chrome qui fournit un film protecteur invisible sur la surface, sous forme d'oxyde de chrome. Ce film peut être endommagé ou contaminé, ce qui entraîne décoloration, tache ou corrosion de la base métallique.

Entretien et nettoyage

Un nettoyage de routine des surfaces d'acier inox servira à prolonger notablement la durée de service de votre produit en éliminant des contaminants. C'est particulièrement important dans les zones côtières qui peuvent exposer l'acier inox à des contaminants sévères comme des sels haloïdes (chlorure de sodium).

Il est fortement recommandé d'inspecter régulièrement et de nettoyer soigneusement les fissures, points de soudure, dessous de joints, de rivets et de têtes de boulons, et toutes les zones où des petites quantités de liquide peuvent être collectées et stagner, en concentrant des contaminants. De plus tout matériel de montage présentant des signes de corrosion doit être remplacé.

La fréquence du nettoyage dépendra de l'emplacement de l'installation, de l'environnement et des conditions d'utilisation.

Choix d'un produit de nettoyage

Le choix d'un produit de nettoyage approprié est au gré du consommateur, et il existe de nombreux produits parmi lesquels choisir. Selon le type de nettoyage et le degré de contamination, certains produits sont meilleurs que d'autres.

En général le moyen le plus efficace pour du nettoyage de routine de la plupart des produits en acier inox est un bon passage au chiffon doux trempé dans une solution d'eau tiède et de détergent doux, ou d'eau faiblement ammoniacquée. Le frottement doit dans la mesure du possible suivre les veines de polissage de l'acier, et il faut toujours procéder à un rinçage après le nettoyage.

Bien que certains produits soient nommés «nettoyants pour acier inox», ils peuvent contenir des abrasifs susceptibles d'écrocher la surface (en compromettant son film protecteur d'oxyde de chrome),

Une fois que les surfaces en acier inox ont été soigneusement nettoyées, une cire automobile de bonne qualité peut y être appliquée pour maintenir la finition.

REMARQUE

Les produits en acier inox ne doivent jamais être installés ou entreposés à proximité de produits chimiques à base de chlore.

Quelque soit votre choix du produit de nettoyage, il doit être utilisé en conformité stricte avec les instructions de son fabricant.

CONSEILS POUR L'ÉCONOMIE D'ÉNERGIE, OBTENTION DE SERVICE

Conseils pour l'économie d'énergie

Les suggestions suivantes vont minimiser le coût de fonctionnement de votre appareil de refroidissement.

1. N'installez pas votre appareil près d'un autre appareil chaud (cuisinière, lave-vaisselle, etc.), d'une conduite d'air chaud, ou d'autres sources de chaleur.
2. Placez l'appareil à l'abri du rayonnement solaire direct.
3. Assurez-vous que les événements de la grille devant l'unité au-dessus de la porte ne sont pas obstrués et maintenus propres de façon à permettre une ventilation du système de refroidissement et chasser la chaleur.
4. Branchez votre appareil sur un circuit d'alimentation secteur dédié (Sans partage avec d'autres appareils).
5. Quand vous chargez initialement votre produit neuf, ou au cas où de grosses quantités de contenu tiède sont placées dans le compartiment de conservation au froid, minimisez les ouvertures de porte pendant les 12 heures qui suivent pour permettre au contenu de tomber à la température de consigne du compartiment.
6. En maintenant un compartiment d'entreposage relativement plein, il faut moins de périodes de fonctionnement en refroidissement de l'appareil qu'avec un compartiment vide.
7. Assurez-vous que la fermeture de porte n'est pas obstruée par des denrées entreposées dans votre appareil.
8. Permettez aux denrées chaudes de revenir à la température ambiante avant de les placer dans l'appareil.
9. Minimisez la fréquence et la durée des ouvertures de porte.
10. Utilisez le point de consigne de température le plus haut qui respecte votre préférence personnelle, et fournissez l'entreposage qui convient pour vos denrées conservées.
11. Quand vous êtes en vacances ou loin de la maison pour des périodes prolongées, réglez la consigne de l'appareil à la température la plus haute admissible pour la conservation de son contenu.
12. Réglez le contrôle en position d'arrêt (off) si le nettoyage de l'appareil nécessite que sa porte reste ouverte pour une période longue.
13. En cas de conservation de vins :
Quand des températures pour les servir ne sont pas requises, ramenez le point de consigne du/des compartiment(s) à la température idéale de conservation à long terme des vins rouges et blancs, vers 13 °C / 55°F.

Obtention de Service

Si du service est nécessaire :

- Si le produit est encore dans sa première année de garantie, veuillez appeler le service à la clientèle d'Lynx Grills au 888.289.5969 pour avoir des instructions sur la façon d'obtenir une couverture sous garantie dans votre secteur.
- Si le produit est sorti de sa première année de garantie, le service à la clientèle d'Lynx Grills peut vous fournir des recommandations sur les centres de service de votre secteur.
- Dans toute correspondance relative au service, assurez-vous de bien fournir la référence de service/modèle, le numéro de série et le la facture d'achat.
- Essayez de donner des informations ou une description de la nature du problème, sur la durée pendant laquelle l'appareil a fonctionné, sur les températures de la pièce et de l'eau, et toutes les informations qui peuvent être utiles pour une résolution rapide du problème.
- Le Tableau «A» est fourni pour enregistrer les informations pertinentes sur votre produit, comme référence ultérieure.

Pour vos archives	
Date d'achat	
Nom du revendeur	
Adresse du revendeur	
Ville du revendeur	
État/province du revendeur	
Code Zip/postal du revendeur	
N° de service/modèle de l'appareil	
N° de série de l'appareil	
Date d'envoi de la carte de garantie (à faire dans les 10 jours après l'achat)	

Tableau A

DÉPANNAGE

Avant d'appeler pour du service

Si l'appareil semble présenter un dysfonctionnement, commencez par bien relire son manuel. Si le problème persiste, consultez le guide de dépannage qui suit. Identifiez le problème dans ce guide et consultez les colonnes de causes et de remèdes avant d'appeler pour du service. Le problème peut être quelque chose de très simple qui peut se résoudre sans demander une intervention de service. Cependant, il peut être nécessaire de contacter votre revendeur ou un technicien de service qualifié.



AVERTISSEMENT

Risque d'électrocution

- Ne tentez jamais de réparer ou d'exécuter de la maintenance sur l'appareil avant que son alimentation électrique n'ait été débranchée en amont. Passer l'appareil sur arrêt (OFF) n'enlève pas la présence de tension secteur sur les fils de câblage.
- Remettez en place l'ensemble des pièces et panneaux avant de redémarrer.



ATTENTION

Dans le cas improbable où vous perdriez de la capacité de refroidissement sur votre appareil, **ne le débranchez pas de son alimentation électrique**, mais appelez immédiatement un agent de dépannage qualifié. Il est possible que la perte de capacité de refroidissement résulte d'une accumulation excessive de givre sur le serpentin de refroidissement d'évaporateur. Dans ce cas, le débranchement électrique de l'appareil entraînera la fusion d'une quantité excessive de glace, qui pourra générer de l'eau de fusion qui dépassera la capacité du système de drainage du dégivrage, et risque de provoquer un dégât des eaux à votre domicile. C'est l'utilisateur final qui sera le responsable final de tout dégât des eaux causé par une coupure prématurée de l'appareil, sans avoir géré correctement l'excédent d'écoulement d'eau.

Problème	Cause possible	Remède
L'appareil ne produit pas assez de froid (Voyez «Réglage de la température» en page 10)	<ul style="list-style-type: none"> • Le contrôle a une consigne trop chaude • La température du contenu n'est pas encore stabilisée. • Utilisation excessive ou ouvertures prolongées de la porte. • Blocage du flux d'air de la grille frontale. • Défaut d'étanchéité du joint de porte. 	<ul style="list-style-type: none"> • Ajustez plus bas la consigne de température. Laissez stabiliser la température 24 heures. • Laissez la température se stabiliser pendant au moins 24 heures. • Le flux d'air ne doit pas être obstrué à la grille frontale. Consultez les valeurs de dégagements en page 4. • Changez le joint de porte.
L'appareil fait trop de froid (Voyez «Réglage de la température» en page 10)	<ul style="list-style-type: none"> • Le contrôle a une consigne trop froide • Défaut d'étanchéité du joint de porte. 	<ul style="list-style-type: none"> • Ajustez plus haut la consigne de température Laissez stabiliser la température 24 heures. • Changez le joint de porte.
Pas d'éclairage à l'intérieur	<ul style="list-style-type: none"> • Défaut de l'ensemble d'éclairage à DEL ou du commutateur d'éclairage. 	<ul style="list-style-type: none"> • Contactez un technicien de service qualifié.
L'éclairage ne s'éteint pas quand la porte est fermée	<ul style="list-style-type: none"> • L'éclairage de démonstration est resté allumé. (Modèles à porte vitrée uniquement). • La porte n'active pas l'interrupteur d'éclairage. • Commutateur d'éclairage défectueux 	<ul style="list-style-type: none"> • Éteignez l'éclairage de démonstration, refermez la porte. • L'appareil n'est pas d'aplomb, mettez-le de niveau (Voir en page 4, la section sur les pieds réglables). • Contactez un technicien de service qualifié.
Bruit ou vibration	<ul style="list-style-type: none"> • L'appareil n'est pas d'aplomb. • Obstruction de tube affectant le ventilateur. 	<ul style="list-style-type: none"> • Mettez l'armoire d'aplomb, voyez en page 4 le réglage des pieds de mise à niveau. • Contactez un technicien de service qualifié.
L'appareil ne fonctionne pas.	<ul style="list-style-type: none"> • L'appareil est à l'arrêt. • Le cordon secteur n'est pas branché. • La prise secteur n'est pas alimentée. 	<ul style="list-style-type: none"> • Mettez l'appareil en marche. Voyez pour le démarrage de votre appareil en page 10. • Branchez la fiche du cordon. • Vérifiez l'alimentation électrique de votre maison.

L'HISTOIRE DE LYNX

Lynx a commencé par une vision.

Un petit groupe d'ingénieurs de fabrication avec plus d'un siècle d'expérience collective a eu un rêve. Ils ont osé prendre leur vaste savoir-faire de fabrication commerciale et de créer une ligne de produits de cuisson en plein air qui offrent l'élégance et la performance commerciale sur le marché du consommateur.



Lynx a pris la qualité, la maîtrise, le service et l'innovation du marché commercial et l'a incorporé à la ligne Lynx Professional Grills de produits grand public et commerciaux. La combinaison de design créatif, de matériaux de qualité supérieure et d'un savoir-faire exceptionnel élève les produits Lynx à une classe de son propre.

Les produits originaux Lynx commercial sont utilisés tous les jours dans les restaurants, hôtels et parcs à thème à travers les Etats-Unis:

Clients satisfaits de Lynx

- TGI Fridays
- Applebee's
- Houston's
- Red Lobster
- Hard Rock Café
- Wolfgang Puck's
- Cheesecake Factory
- Red Robin
- Planet Hollywood
- Hilton
- Hyatt
- Four Seasons Marriott
Le Meridian
- Sheraton
- Conrad International
- Bellagio
- New York New York
- MGM Grand
- Treasure Island
- Mirage
- Paris
- Venetian
- Excalibur
- Mandalay Bay
- Riviera
- Desert Inn
- Hard Rock Hotel
- Disney World



Les meilleurs produits de cuisine d'extérieure viennent de :
Lynx Grills, Inc. 7300 Flores Street Downey, CA 90242
Service: (888)-289-5969 Fax: (562) 299-6789
www.lynxgrills.com

APROVECHE AL MÁXIMO DE SU



LM15WINE

BODEGAS PARA VINOS EXTERIOR

MANTENIMIENTO Y OPERACIÓN / INSTALACIÓN

ÍNDICE

Índice

Información de seguridad	2
Desembalaje de su artefacto.....	3
Registro de garantía.....	3
Instalación de su artefacto.....	4
Espacios libres alrededor del gabinete	4
Nivelación del artefacto	4
Conexión eléctrica.....	5
Instalación del dispositivo antivuelco.....	6
Dimensiones del producto.....	8
Uso de su control electrónico	10
Puesta en funcionamiento de su artefacto	10
Encendido (ON) y apagado (OFF) de su artefacto	10
Ajuste de la temperatura	10
Alarmas	10
Configuraciones de estantes.....	12
Cuidado y limpieza	13
Mantenimiento del acero inoxidable.....	15
Consejos para ahorrar energía.....	16
Cómo obtener servicio.....	16
Localización de fallas	17
La historia de Lynx	18

Instrucciones importantes de seguridad

Las advertencias e instrucciones de seguridad que aparecen en esta guía no se proponen tratar todas las condiciones y situaciones que pueden ocurrir. Deben aplicarse el sentido común, la precaución y el cuidado al instalar, mantener y operar este artefacto.

**Reconozca los símbolos,
palabras y etiquetas de seguridad.**



ADVERTENCIA

ADVERTENCIA - Si no sigue las instrucciones, usted puede morir o sufrir una lesión grave.



PRECAUCION

PRECAUCIÓN-Riesgos o procedimientos inseguros que podrían provocar lesiones personales o daños materiales o al producto.

NOTA

NOTA-Información importante que ayuda a asegurar una instalación y operación libres de problemas.



ADVERTENCIA

Advertencias de la Proposición 65 del estado de California: Este producto contiene una o más sustancias químicas identificadas por el estado de California como causantes de cáncer.



ADVERTENCIA

Advertencias de la Proposición 65 del estado de California: Este producto contiene una o más sustancias químicas identificadas por el estado de California como causantes de defectos congénitos o algún otro tipo de daños en la función reproductora.

DESEMBALAJE DE SU ARTEFACTO



ADVERTENCIA

RIESGO DE PESO EXCESIVO

Se necesitan dos o más personas para mover el producto. Si no se procede así, pueden producirse lesiones personales.

Retiro del embalaje interior

Su artefacto se ha embalado para el transporte con todas las piezas que pudieran dañarse por el movimiento sujetas firmemente. Retire los materiales de empaque internos y -si las hubiera- las cintas que sujetan los componentes. El manual del usuario se envía dentro del producto en una bolsa de plástico junto con la tarjeta de registro de garantía y otros accesorios.

Importante

Conserve la caja y el material de embalaje hasta que su artefacto se haya inspeccionado bien a fondo y se haya comprobado que está en buenas condiciones. Si hubiera daños, se necesitará el material de embalaje como una prueba del daño en tránsito. Luego, elimine todos los elementos de manera responsable.



ADVERTENCIA

ADVERTENCIA - Elimine las bolsas de plástico, ya que pueden presentar un riesgo de asfixia.

Nota para el cliente

Esta mercancía se embaló en forma cuidadosa y se inspeccionó bien a fondo antes de salir de nuestra planta. La responsabilidad por su entrega segura fue asumida por el comerciante minorista al aceptar el envío. Los reclamos por pérdida o daños sufridos en el tránsito deben presentarse al comerciante minorista.

NOTA

NO REGRESE MERCANCÍA DAÑADA AL FABRICANTE; PRESENTE EL RECLAMO AL COMERCIANTE MINORISTA.



PRECAUCION

Si el artefacto se transportó, manejó o almacenó en una posición diferente de la vertical durante cualquier intervalo de tiempo, deje que permanezca en posición vertical durante 24 horas como mínimo antes de enchufarlo.

Esto asegurará que el aceite regrese al compresor. Si se enchufa el artefacto de inmediato, pueden dañarse algunas piezas internas.

Registro de garantía

Es importante que envíe su tarjeta de registro de la garantía inmediatamente después de haber recibido su artefacto; también puede registrarlo a través de Internet en la página www.lynxgrills.com/support/registration

Cuando registre su artefacto se le solicitará la información siguiente:

Número de servicio/modelo

Número de serie

Fecha de la compra

Nombre y dirección del comerciante

El número de servicio/modelo y el número de serie pueden encontrarse en la placa de identificación que está ubicada dentro del gabinete, en el lado izquierdo cerca de la parte superior (vea la Figura 1).

LYNX GRILLS, INC	
DOWNEY, CA 90242	
MODEL NO.	XXXXXXXXXXXXXX
SERVICE NO.	XXXXXXXXXXXXXX
SERIAL NO.	XXXXXXXXXXXXXX
HZ	<input type="text"/> VOLTS
<input type="text"/>	AMPS
<input type="text"/>	R134A
<input type="text"/>	oz
DESIGN PRESSURES 140 PSI LOW SIDE	
300 PSI HIGH SIDE	

Figura 1



ADVERTENCIA

ADVERTENCIA - El atrapamiento y la asfixia de niños no son problemas del pasado. Los refrigeradores desguazados o abandonados siguen siendo peligrosos, aun cuando se los haya dejado 'sólo por unos pocos horas'.

Si va a deshacerse de su viejo refrigerador, observe las instrucciones que siguen a fin de ayudar a prevenir accidentes.

Antes de tirar su viejo refrigerador o congelador:

- Extraiga las puertas o retire los estantes.
- Deje los estantes en su lugar, de modo que los niños no puedan trepar fácilmente al interior.

INSTALACIÓN DE SU ARTEFACTO

Selección de la ubicación

La ubicación adecuada asegurará el desempeño óptimo de su artefacto. Recomendamos una ubicación en la que la unidad esté a cubierto de la luz solar directa y lejos de fuentes de calor. Para asegurar que su producto funcione de acuerdo con las especificaciones, el rango de temperaturas recomendado para la ubicación de instalación es de 55 a 100° F (de 13 a 38° C).

Espacios libres alrededor del gabinete

Se necesita ventilación desde la parte delantera inferior del artefacto. Mantenga esta área abierta y libre de toda obstrucción. Pueden instalarse gabinetes adyacentes y una cubierta alrededor del artefacto, siempre que la rejilla frontal permanezca sin obstrucciones.

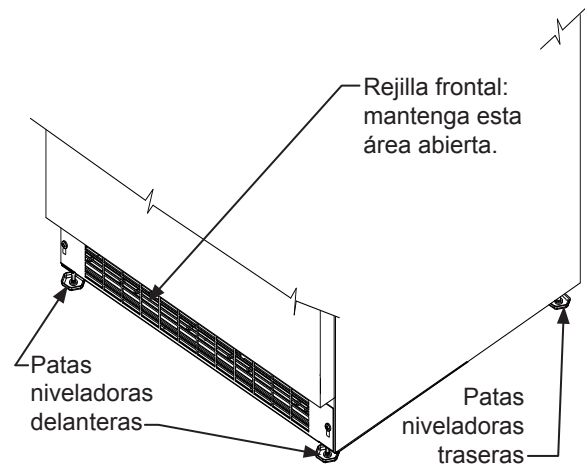


Figura 2

Patas niveladoras traseras

Las patas ajustables que están en las esquinas delanteras y traseras del artefacto deben regularse de modo que la unidad quede posicionada firmemente sobre el piso, y nivelada de lado a lado y del frente al fondo. La altura total de su artefacto puede ajustarse entre la dimensión mínima, 33 $\frac{3}{4}$ " (85,7 cm), (girando la pata niveladora hacia adentro CW ↻) y la máxima, 34 $\frac{3}{4}$ " (88,3 cm), (girando la pata niveladora hacia afuera CCW ↻).

Para ajustar las patas niveladoras, coloque el artefacto sobre una superficie sólida y proteja la zona del piso que está debajo de las patas, para evitar rayarlo. Con la ayuda de otra persona, incline el artefacto hacia atrás para tener acceso a las patas niveladoras. Haga girar las patas para subirlas o bajarlas hasta la dimensión requerida. Repita este proceso para la parte trasera inclinando con cuidado el artefacto hacia adelante. Verifique la nivelación del artefacto sobre una superficie nivelada, y ajuste según sea necesario.

Los tornillos de la rejilla frontal pueden aflojarse para ajustar la rejilla a la altura deseada. Cuando finalice el ajuste, apriete los dos tornillos de la rejilla frontal (vea la Figura 5).



Rejilla frontal

No obstruya la rejilla frontal. Las aberturas de la rejilla frontal permiten que el aire circule a través del intercambiador de calor del condensador. Las restricciones a esta circulación de aire darán como resultado mayor consumo de energía y pérdida de la capacidad de enfriamiento. Por esta razón es importante que esta área no esté obstruida y que las aberturas de la rejilla se mantengan limpias. Lynx Grills no recomienda el uso de una rejilla de construcción especial, ya que la circulación de aire puede verse restringida (vea la Figura 2).

INSTALACIÓN DE SU ARTEFACTO

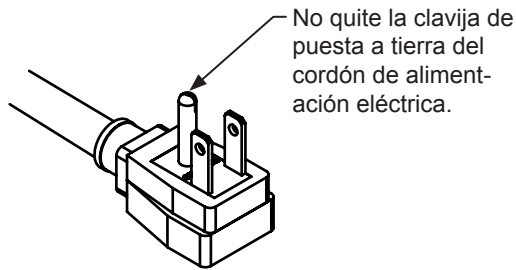


Figura 3

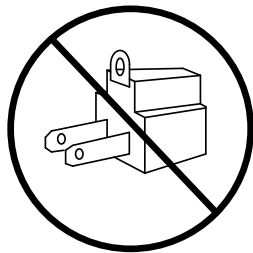


Figura 4

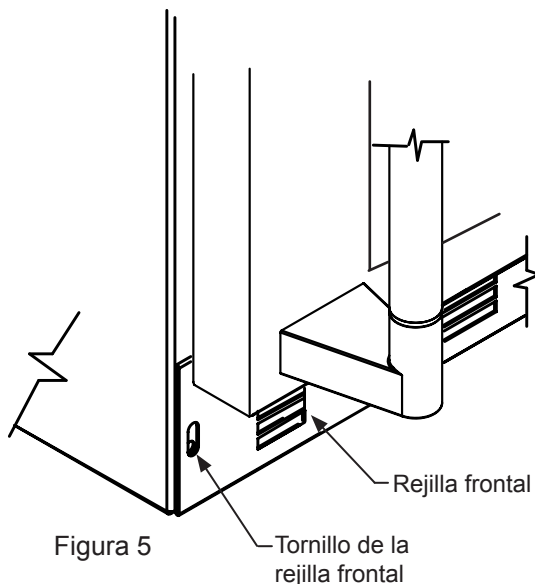


Figura 5



ADVERTENCIA

Peligro de choque eléctrico

- No utilice cordones de extensión con este artefacto. Pueden ser peligrosos, y pueden degradar el funcionamiento del producto.
- Este artefacto no debe conectarse en ninguna circunstancia a un suministro eléctrico sin conexión a tierra.
- No quite la clavija de puesta a tierra del cordón de alimentación eléctrica. (vea la Figura 3).
- No use un adaptador. (vea la Figura 4).
- No salpique ni rocíe agua desde una manguera sobre el artefacto. Si lo hace puede causar un choque eléctrico, que puede provocar lesiones graves o la muerte.

Conexión eléctrica

Se necesita un circuito dedicado de 115 volts, 15 amperes.

Este producto está equipado de fábrica con un cordón de alimentación eléctrica que tiene un enchufe de tres clavijas con puesta a tierra. Debe enchufarse en un tomacorriente compatible con puesta a tierra, de acuerdo con el Código Eléctrico Nacional de los EE. UU., así como los códigos y ordenanzas locales que sean aplicables (vea la Figura 6). Si el circuito no tiene un tomacorriente con puesta a tierra, es responsabilidad y obligación del cliente proporcionar el suministro eléctrico correcto. No debe cortarse ni quitarse la tercera clavija de tierra bajo ninguna circunstancia.

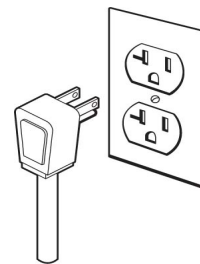


Figura 6

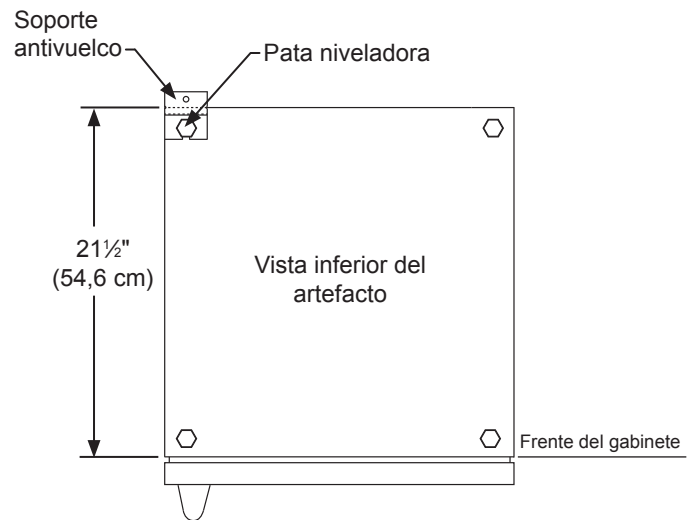
NOTA

Los interruptores de falla a tierra (GFCI) son propensos a los falsos disparos, que harán que el artefacto se apague. Los GFCI no se usan por lo general en circuitos con equipos motorizados que deben funcionar desatendidos durante períodos prolongados, a menos que sea necesario para cumplir con los códigos y ordenanzas de edificación locales.

INSTALACIÓN DEL DISPOSITIVO ANTIVUELCO

ADVERTENCIA

- TODOS LOS APARATOS SE PUEDEN VOLCAR. SE PUEDEN PRODUCIR LESIONES.
- INSTALE EL SOPORTE ANTI-VUELCO EMBALADO CON LA UNIDAD.
- SIGA LAS INSTRUCCIONES DE ABAJO



Dispositivo antivuelco

ADVERTENCIA

Si su artefacto no está ubicado debajo de una cubierta (autosostenido), usted debe utilizar un dispositivo antivuelco instalado según estas instrucciones. Si el refrigerador se retira de su ubicación por cualquier razón, asegúrese de que el dispositivo esté correctamente acoplado con el soporte antivuelco cuando empuje el artefacto de nuevo a su ubicación original. Si el dispositivo no está correctamente acoplado, existe el riesgo de que el artefacto se vuelque, con la posibilidad de que haya lesiones personales y daños materiales.

NOTA

Si la instalación es sobre un piso de concreto, se requieren sujetadores para concreto (no se incluyen con el kit antivuelco).

PRECAUCIÓN

Todo piso terminado debe protegerse con un material adecuado para evitar daños al mover la unidad.

Instalación de montaje en el piso

El soporte antivuelco debe colocarse en el piso, en la esquina trasera izquierda o derecha del artefacto, como se muestra en la Figura 7.

Instrucciones paso a paso para

ubicar la posición del soporte: artefacto

1) Decida dónde desea colocar el artefacto. Deslícelo a su ubicación. Procure no dañar el piso. Deje 1" (2,5 cm) de espacio libre respecto a la pared posterior a fin de que haya lugar para el soporte antivuelco.

2) Levante las patas niveladoras traseras aproximadamente 1/4" (6 mm) para permitir el acoplamiento con el soporte antivuelco. Nivele la unidad mediante el ajuste de las patas niveladoras según sea necesario. Al girar la pata niveladora en sentido antihorario la unidad se elevará, y al hacerlo en sentido horario se bajará.

3) Asegúrese de que el artefacto esté en la ubicación deseada, y luego marque en el piso la esquina trasera del gabinete en la que se va a instalar el soporte antivuelco. Si la instalación no permite la marcación de la esquina trasera del gabinete, haga líneas provisionales en el piso que marquen la esquina delantera del gabinete, excluida la puerta. Deslice el artefacto fuera de su posición. Desde la línea provisoria, extienda la línea de la pared lateral hacia atrás 21 1/2" (54,6 cm), como se muestra en la Figura 8.

4) Alinee el soporte antivuelco con las marcas del piso, de manera que el costado del soporte se alinee con la marca del costado del gabinete y las muescas en 'V' del soporte antivuelco se alineen con el extremo de la línea de 21 1/2" (54,6 cm) (línea del extremo posterior del gabinete).

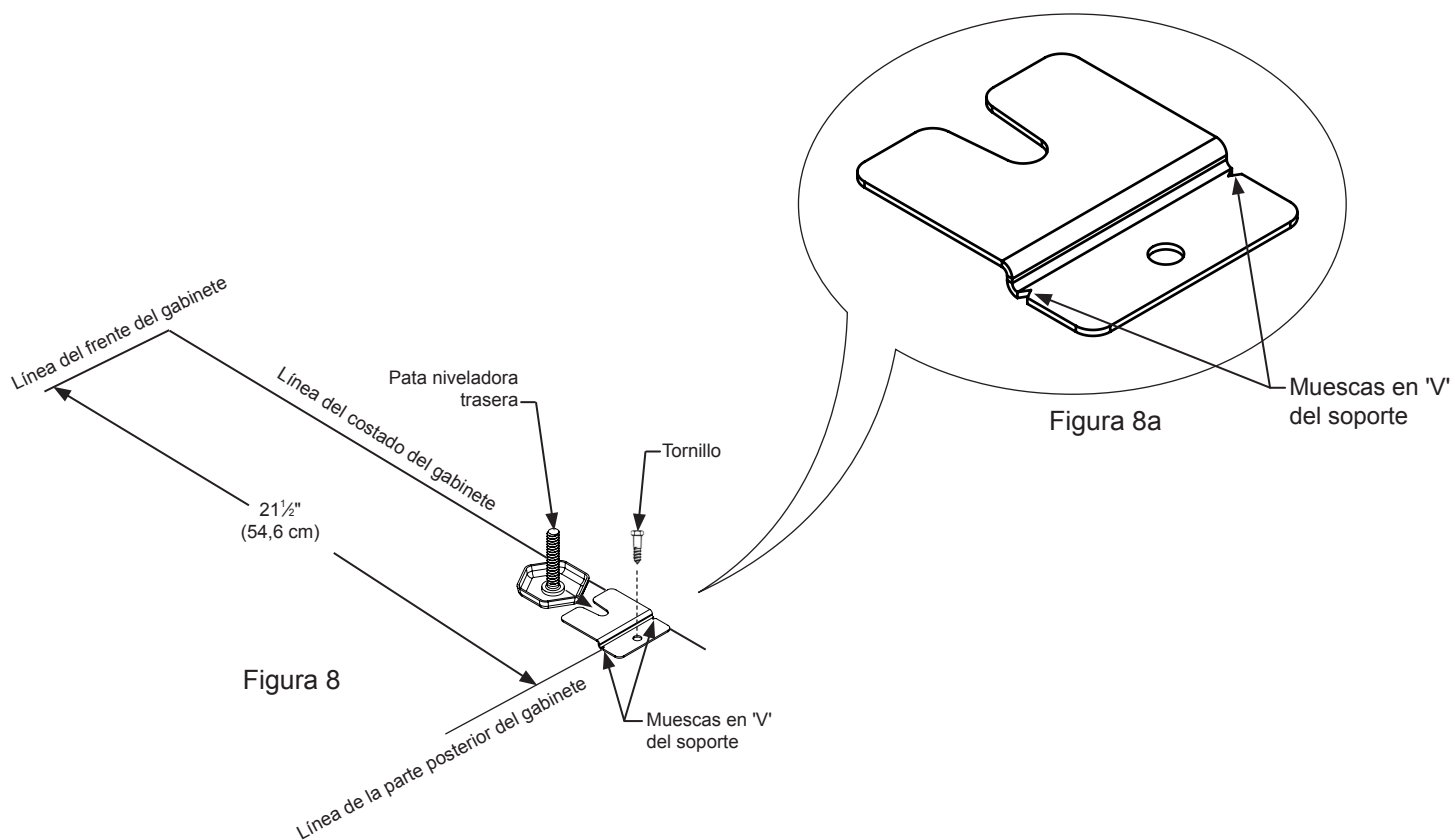
5) Sujete el soporte antivuelco al piso mediante el tornillo suministrado (vea la Figura 8).

6) Deslice el gabinete de nuevo a su posición. Asegúrese de que la pata niveladora trasera del gabinete se deslice debajo del soporte antivuelco, encajando en la ranura.

INSTALACIÓN DEL DISPOSITIVO ANTIVUELCO

NOTA

Cuando se utiliza el soporte antivuelco montado en el piso, la altura mínima ajustable del gabinete aumenta en $\frac{3}{8}$ " (9 mm).



DIMENSIONES DEL PRODUCTO

MODELO	DIMENSIONES DE LA ABERTURA DE INSTALACIÓN pulgadas (cm)			DIMENSIONES DEL GABINETE pulgadas (cm)					
	"A"	"B"	"C"	"D"	"E"	"F"	"G"	"H"	"J"
LM15WINE	15" (38,1 cm)	**34" to 35" (86,4 to 88,9 cm)	*	14 ⁷ / ₈ " (37,8 cm)	33 ³ / ₄ " to 34 ³ / ₄ " (85,7 to 88,3 cm)	23 ²³ / ₃₂ " (60,2 cm)	26 ³ / ₄ " (67,9 cm)	37 ¹³ / ₃₂ " (95 cm)	17 ³ / ₄ " (45,1 cm)

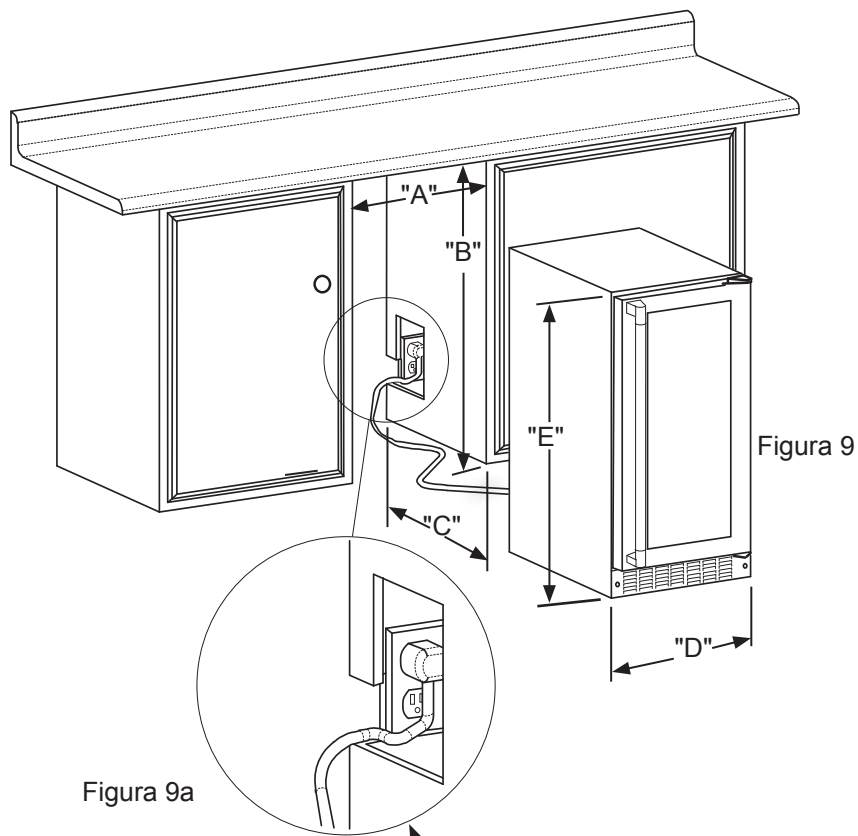


Figura 10

Si fuera necesario ganar espacio libre dentro de la abertura de instalación, puede hacerse un agujero a través del gabinete adyacente y pasar el cordón de alimentación eléctrica a través de ese agujero hasta un tomacorriente. Otra manera de aumentar la profundidad disponible de la abertura es empotrar el tomacorriente eléctrico en la pared trasera para ganar el espesor del enchufe de alimentación eléctrica. No todas las cajas de tomacorriente empotradas serán apropiadas para esta aplicación por ser demasiado delgadas, por lo que se recomienda para esta aplicación una caja de tomacorriente empotrada equivalente a la Arlington #DVFR1W (vea la Figura 10).

DIMENSIONES DEL PRODUCTO

MODELO	DATOS DEL PRODUCTO	
	REQUISITOS ELÉCTRICOS #	PESO DEL PRODUCTO
LM15WINE	115V/60Hz/15A	105 lbs (47.7 kg)

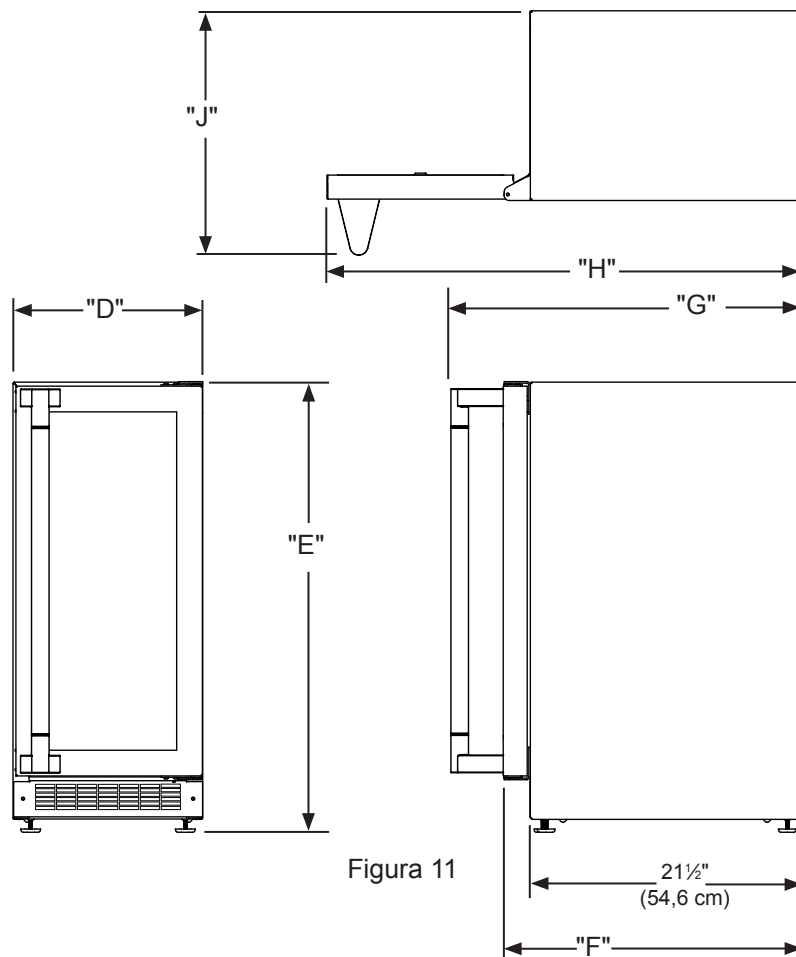


Figura 11

* La dimensión de la profundidad de la abertura de instalación puede variar según cada instalación individual. Para empotrar la puerta completa se necesita la dimensión 'F' más 1" (2,5 cm) para el espesor del enchufe de alimentación eléctrica.

** La abertura de instalación mínima requerida debe ser mayor que la altura ajustada del gabinete.

Se necesita un circuito dedicado de 15 amperes con conexión a tierra. Cumpla con todos los códigos de edificación locales cuando instale el circuito eléctrico y el artefacto.

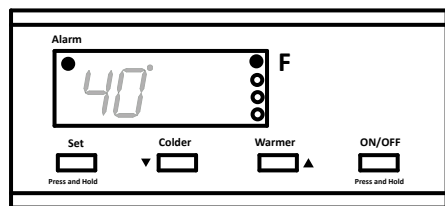


ADVERTENCIA

En aplicaciones autosostenidas debe instalarse el soporte antivuelco montado en el piso. No se requiere para aplicaciones empotradas.

USO DE SU CONTROL ELECTRÓNICO

Figura 12
Primer plano del control



Puesta en marcha de su refrigerador

Enchufe el cable de alimentación del refrigerador en una toma de corriente de pared. Su refrigerador comenzará a enfriar después de conectar la alimentación. Si su refrigerador no arranca, verifique si está encendido y si la temperatura programada es lo suficientemente fría.

Encendido y apagado de su refrigerador

Si el refrigerador está encendido, su temperatura aparecerá en la pantalla. Para apagar el refrigerador, mantenga apretado el botón "ON/OFF" (Encendido/ Apagado) durante tres (3) segundos. Aparecerá "OFF" (Apagado) en la pantalla.

Si el refrigerador no está encendido, la pantalla mostrará "OFF". Para encender el refrigerador, mantenga apretado el botón "ON/OFF" (Encendido/ Apagado) durante tres (3) segundos. La pantalla mostrará la temperatura del refrigerador.

Ajuste de la temperatura deseada

Para programar la temperatura del refrigerador, mantenga apretado el botón "SET". Si se pulsa el botón "SET", la pantalla muestra la temperatura programada. Para ajustar la temperatura deseada, mantenga apretado el botón "SET" y pulse, simultáneamente, los botones "WARMER" (más caliente) o "COLDER" (más frío).

Utilización del refrigerador

La temperatura del refrigerador puede programarse entre 40°F (4.5°C) to 65°F (18.4°C).

Es posible que su refrigerador demore hasta 24 horas en alcanzar la temperatura deseada. Ello dependerá del contenido cargado y de la frecuencia con la que la puerta se abre y cierra.

Para obtener los mejores resultados, deje que el refrigerador se enfríe hasta la temperatura seleccionada antes de proceder con su carga. Una vez cargado el contenido, deje que la temperatura se establezca por al menos 48 horas antes de volver a ajustar la temperatura.

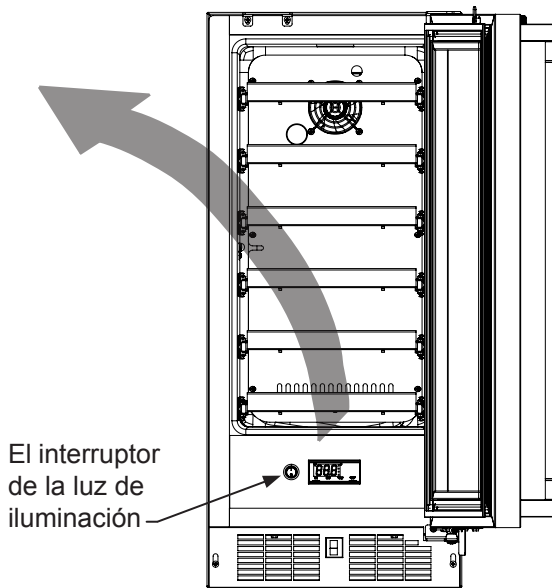


Figura 13

Alarmas

El control electrónico supervisará el funcionamiento del refrigerador y le alertará sobre los problemas posibles con una serie de alarmas audibles y visuales.



- **Alarma por puerta abierta:** si la puerta ha quedado abierta por más de cinco (5) minutos, la alarma sonará a intervalos de un (1) segundo.

En el panel de visualización parpadeará la leyenda "do" y el LED de alarma, ubicado en la esquina superior izquierda de la pantalla bajo la indicación "Alarm", estará encendido. Esta alarma cesará al cerrar la puerta.



- **Falla del sensor de temperatura:** si el controlador detecta que el sensor de temperatura no funciona correctamente, se disparará la alarma por falla en dicho sensor y sonará a intervalos de un (1) segundo. En el panel de visualización parpadeará la leyenda "E1" y el LED de alarma, ubicado en la esquina superior izquierda de la pantalla bajo la indicación "Alarm", estará encendido. Si aparece este código de falla, por favor, llame al servicio de atención al cliente de Lynx Grills o al distribuidor de su localidad.



- **Alarma de temperatura alta y baja:** Si la temperatura del compartimiento de almacenamiento se desvía excesivamente de la temperatura de consigna, la alarma sonará en intervalos de un (1) segundo. La pantalla parpadeará "Hi" (Alta) o "Lo" (Baja) dependiendo de la condición, y la luz LED de alarma en la parte superior izquierda de la pantalla debajo de la palabra "Alarm" se iluminará. La alarma permanecerá activa hasta que se corrija la condición.

USO DE SU CONTROL ELECTRÓNICO

NOTA

Después de una condición de alarma de temperatura alta, revise todos los productos perecederos para garantizar que son seguros para consumo.

NOTA

La alarma de temperatura puede ocurrir como resultado de un uso intensivo o la introducción de los contenidos calientes en el compartimiento de almacenamiento. Si la alarma de temperatura persiste, su unidad puede requerir servicio.

Procedimiento para silenciar la alarma

Pulse cualquier tecla para silenciar la alarma.

NOTA

Esto sólo silenciará la alarma. Si la condición que disparó la alarma persiste, el código de alarma continuará parpadeando en la pantalla y la alarma audible sonará durante 20 segundos cada 60 minutos.

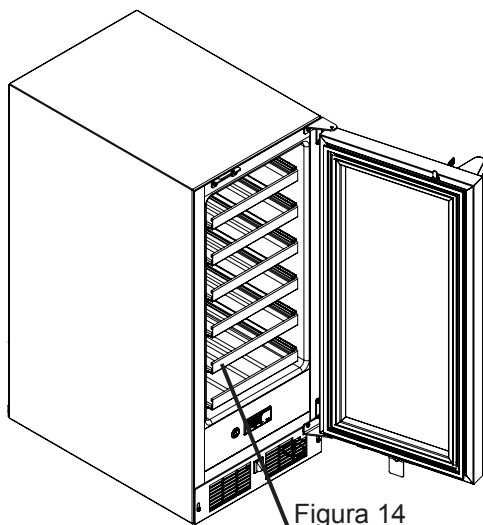
Iluminación interior y el interruptor

La iluminación interior hace fácil ver las etiquetas de sus vinos y mejora la presentación de su colección. Para activar la función de la luz de iluminación, presione el interruptor de luz redondo, vea la Figura 13. Está situado en el lado izquierdo de la electrónica de control. La luz se enciende y permanece encendido con la puerta cerrada hasta que se vuelva a pulsar el interruptor. La luz también se enciende cuando se abre la puerta.

CONFIGURACIONES DE ESTANTES

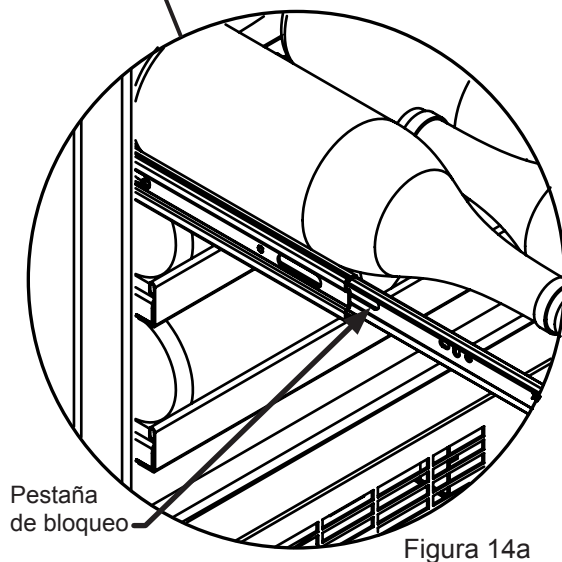
Su artefacto de la Serie Profesional de Lynx Grills está equipado con rieles de extensión total con rodamientos de bolas, que proporcionan el máximo acceso y visibilidad para el producto almacenado en las disposiciones de estantes que se indican a continuación.

Bodega para vinos de una zona:
Modelos de 15" (38,1 cm) de ancho:
(6) Rejillas de alambre para 4 botellas



Extraiga el vino del estante que va a extraer.

Figura 14



Pestaña de bloqueo

Figura 14a

Para agregar o desmontar un estante



PRECAUCION

No intente nunca extraer un estante cargado; quite todo el contenido del estante antes de extraerlo. Al extraer el estante, utilice ambas manos.

Para extraer un estante:

Extienda el estante hacia afuera del gabinete hasta que haga tope.

Descargue el estante (vea la Figura 14).

Baje las pestañas de bloqueo que están a ambos lados del estante, y extraiga el estante en línea recta (vea la Figura 14a). Una vez extraído el estante, empuje de nuevo hacia adentro las extensiones de estante montadas en el gabinete.

Para reinstalar un estante:

Arrastre hacia afuera las extensiones de estante montadas en el gabinete para ayudar al enganche con el estante de rejilla de alambre.

Inserte el riel lateral de la rejilla de alambre en las extensiones de estante montadas en el gabinete, en ambos lados.

Introduzca la rejilla de alambre completamente en el gabinete a fin de enganchar las pestañas de bloqueo.

Extraiga el estante (descargado), para verificar que la rejilla de alambre esté insertada en los rieles laterales. Si la rejilla de alambre se cae, significa que las pestañas de bloqueo no están enganchadas. Repita la instalación.

Cargue el estante según sea necesario.

CUIDADOS Y LIMPIEZA

Rejilla frontal

Verifique que nada obstruye el flujo de aire requerido en las aberturas delanteras del gabinete. Cepille o limpie con una aspiradora las pelusas y suciedad acumuladas en las aberturas de la rejilla al menos una o dos veces al año (vea la página 4).



PRECAUCION

PELIGRO DE CHOQUE ELÉCTRICO: Desconecte la alimentación eléctrica del artefacto antes de limpiarlo con agua y jabón.

Gabinete

El gabinete pintado puede lavarse con agua jabonosa tibia y enjuagarse con agua limpia. NUNCA use limpiadores abrasivos. Vea la "mantenimiento del acero inoxidable" página 15.

Interior

Lave el compartimiento interior con agua jabonosa tibia. NO utilice limpiadores abrasivos, disolventes, limpiadores pulidores ni detergentes puros.

Cuidado del artefacto

1. Evite apoyarse en la puerta, podría doblar las bisagras de la puerta o inclinar el artefacto.
2. Tenga cuidado al barrer, pasar la aspiradora o fregar cerca del frente del artefacto pues podría dañar la rejilla.
3. Limpie periódicamente el interior de la unidad según sea necesario.
4. Revise o limpie periódicamente la rejilla delantera según sea necesario.

Ante una falla en la alimentación eléctrica

proceda como se indica a continuación

Si se interrumpe la alimentación eléctrica, trate de corregirla lo antes posible. Reduzca al mínimo las aperturas de la puerta durante la interrupción del servicio eléctrico pues ello afecta negativamente la temperatura de la unidad.

Reemplazo del equipo de iluminación interior

Todos los modelos utilizan lámparas LED para iluminar el interior del artefacto. Este componente es muy confiable, pero si una lámpara falla, comuníquese con un técnico de servicio calificado para que reemplace el LED.



ADVERTENCIA

Peligro de electrocución

- Nunca intente reparar o realizar tareas de mantenimiento en el artefacto sin haberlo previamente desconectado de la alimentación eléctrica. Apagar el artefacto desde el control no desconecta la corriente eléctrica de los cables del artefacto.
- Vuelva a colocar todas las piezas y paneles antes de poner en funcionamiento.

CUIDADOS Y LIMPIEZA

Almacenamiento a largo plazo / Acondicionamiento para el invierno

1. El momento del acondicionamiento para el invierno es cuando la temperatura ambiente mínima diaria es igual o menor de 38 °F.

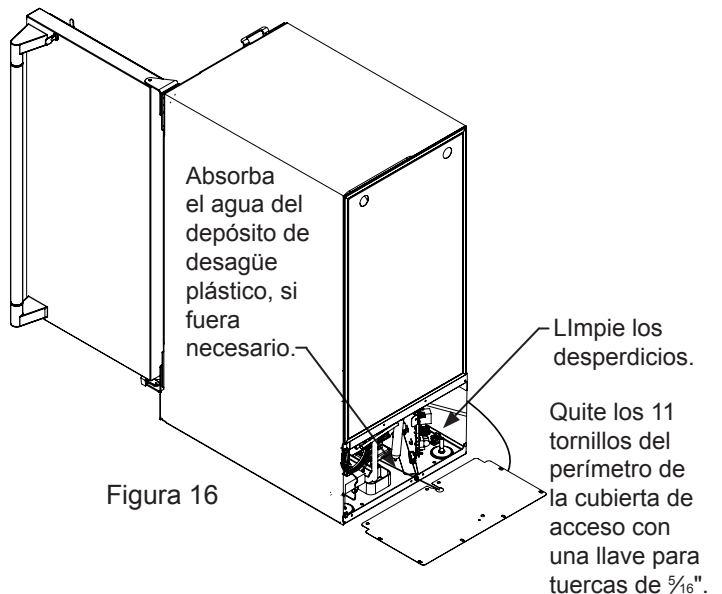
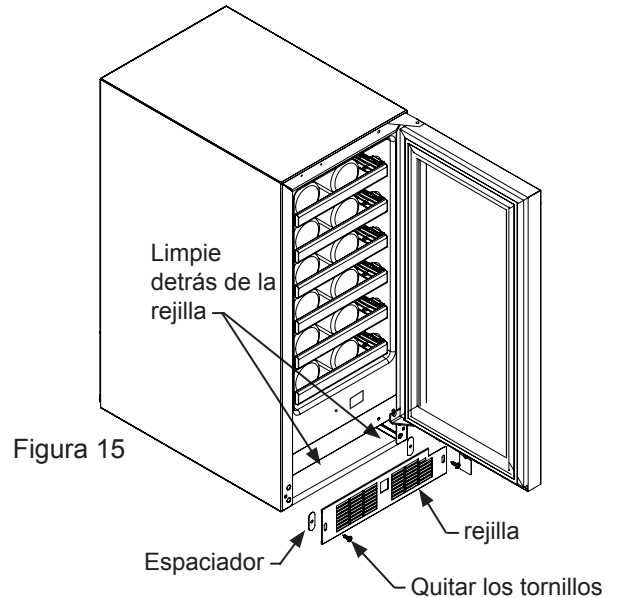
PRECAUCION

La operación de la unidad con temperaturas ambientes por debajo de la temperatura de acondicionamiento para el invierno recomendada, anulará la garantía.

2. Apague la unidad (vea la página 10).
3. Retire todo el contenido.
4. Si fuera necesario, mueva la unidad para obtener acceso a la parte posterior.
5. Desenchufe la unidad del tomacorriente eléctrico.
6. Se recomienda también desconectar la alimentación eléctrica al tomacorriente si el circuito no es necesario para otros usos durante la estación invernal.
7. Cuando limpie la unidad, preste particular atención a toda posible grieta o hendidura que pudiera haber acumulado suciedad y desperdicios.
8. Quite la rejilla frontal de protección (vea las Figura 15) y limpie la suciedad y desperdicios de detrás de la unidad mediante un cepillo y una aspiradora.
9. Limpie bien la rejilla de protección y vuelva a instalarla en la unidad.
10. Quite la cubierta de acceso posterior (vea la Figura 16) y limpie la suciedad y desperdicios del compartimento de la máquina mediante un cepillo y una aspiradora.
 - Si el depósito de desagüe de descongelación plástico ubicado debajo del compresor contiene agua, quite toda el agua que sea posible con una esponja.
11. Limpie bien la cubierta de acceso posterior y vuelva a instalarla en la unidad.
12. Limpie todas las superficies interiores con un limpiador antibacteriano y luego con agua de enjuague limpia, para eliminar toda sustancia química residual que pudiera generar manchas. No utilice ningún limpiador abrasivo ni estropajo.
13. Deje la puerta abierta y deje secar por completo antes de cerrarla.
14. Limpie bien el empaque de la puerta con un limpiador antibacteriano y luego con agua de enjuague limpia, para eliminar toda sustancia química residual.
15. Limpie bien el exterior con un limpiador aprobado para acero inoxidable. No utilice ningún limpiador abrasivo ni estropajo. Vea la "mantenimiento del acero inoxidable" página 15.
16. Todo accesorio de montaje o sujetador que muestre indicios de corrosión debe reemplazarse.
17. Una vez que el exterior se haya limpiado a fondo, es necesario aplicar una capa de cera para autos, a fin de proteger contra el manchado debido a la humedad, suciedad y desperdicios que puedan acumularse sobre las superficies durante el período invernal.

18. No coloque una cubierta sobre la unidad, porque puede atrapar condensación.

Después de finalizar lo anterior puede optar por almacenar la unidad en interiores, si bien no es necesario.



Puesta en marcha después de un almacenamiento a largo plazo

1. Conecte la unidad a la alimentación eléctrica.
2. Si se almacenó en exteriores, se recomienda inspeccionar nuevamente la unidad a fondo en base a las instrucciones de almacenamiento precedentes, a fin de quitar toda suciedad o desperdicio proveniente de la exposición a la intemperie y/o de animales e insectos.
3. Encienda la unidad y confirme los ajustes de control deseados.
4. Espere 24 horas a que la unidad se establezca antes de cargarla.

MANTENIMIENTO DEL ACERO INOXIDABLE

Puesta en marcha después de un almacenamiento a largo plazo

1. Conecte la unidad a la alimentación eléctrica.
2. Si se almacenó en exteriores, se recomienda inspeccionar nuevamente la unidad a fondo en base a las instrucciones de almacenamiento precedentes, a fin de quitar toda suciedad o desperdicio proveniente de la exposición a la intemperie y/o de animales e insectos.
3. Encienda la unidad y confirme los ajustes de control deseados.
4. Espere 24 horas a que la unidad se estabilice antes de cargarla.

Mantenimiento Del Acero Inoxidable

El acero inoxidable no se mancha, corroe ni oxida tan fácilmente como el acero ordinario, pero no es a prueba de manchas ni de corrosión. Los aceros inoxidables pueden alterar su color o corroerse si no se mantienen de manera correcta.

Los aceros inoxidables difieren de los aceros al carbono comunes en la proporción de cromo que contienen. Es este cromo el que proporciona a la superficie una película protectora invisible, llamada óxido de cromo. Esta película protectora de óxido de cromo de la superficie puede dañarse o contaminarse, lo que da como resultado alteración del color, manchado o corrosión del metal de base.

Cuidado y limpieza

La limpieza de rutina de las superficies de acero inoxidable servirá para prolongar considerablemente la vida útil de su producto, gracias a la eliminación de contaminantes. Esto es especialmente importante en áreas costeras, que pueden exponer el acero inoxidable a contaminantes severos como las sales haloideas (cloruro de sodio).

Se recomienda muy especialmente la inspección y limpieza a fondo periódicas de hendiduras, puntos de soldadura, debajo de los empaques, remaches, cabezas de pernos y toda ubicación en la que se pudiera acumular una pequeña cantidad de líquido, para luego estancarse y concentrar contaminantes. Además, todo accesorio de montaje que muestre indicios de corrosión debe reemplazarse.

La frecuencia de las limpiezas dependerá de las condiciones de uso, de ubicación de la instalación y ambientales.

Elección de un producto de limpieza

La elección de un producto de limpieza adecuado está finalmente en manos del usuario. Existen muchos productos entre los cuales elegir. Según sea el tipo de limpieza y el grado de contaminación, algunos productos son mejores que otros.

Normalmente, la manera más efectiva y eficiente de limpieza de rutina de la mayoría de los productos de acero inoxidable es dar a las superficies un frotamiento enérgico con un paño suave remojado en agua tibia y un detergente suave, o una mezcla suave de amoníaco. El frotamiento, en la medida de lo posible, debe seguir las líneas de pulimento del acero, y se debe asegurar siempre un enjuague a fondo después de la limpieza.

Si bien existen productos que llevan el nombre de 'limpiadores de acero inoxidable', algunos de ellos contienen sustancias abrasivas que podrían provocar rayones en la superficie (que comprometen la película protectora de óxido de cromo), y muchos otros contienen blanqueador a base de cloro, que opacará, manchará o alterará el color de la superficie si no se quita por completo.

Después de haber limpiado a fondo las superficies de acero inoxidable, debe aplicarse una cera para autos de buena calidad para ayudar a mantener el acabado.

Los productos de acero inoxidable no deben instalarse ni almacenarse nunca en la proximidad de sustancias químicas a base de cloro.

Cualquiera sea el producto de limpieza que utilice, debe hacerlo estrictamente de acuerdo con las instrucciones del fabricante del limpiador.

CONSEJOS PARA AHORRAR ENERGÍA Y SOLICITUD DE SERVICIO TÉCNICO

Consejos Para Ahorrar Energía

Las siguientes sugerencias reducirán al mínimo el costo de utilización de su artefacto de refrigeración.

1. No instale el artefacto cerca de un electrodoméstico que emita calor (cocina, lavavajillas, etc.), conductos de calefacción y otras fuentes de calor.
2. Instale el producto alejado de la luz solar directa.
3. Verifique que los orificios de ventilación de la rejilla delantera del artefacto ubicada bajo la puerta no estén obstruidos y manténgalos limpios para permitir la evacuación del calor que genera el sistema de refrigeración.
4. Conecte el artefacto a un circuito de alimentación exclusivo (no compartido con otros equipos).
5. La primera vez que cargue su nuevo artefacto, o cuando coloque grandes cantidades de productos calientes en el compartimiento de almacenamiento refrigerado, abra la puerta la menor cantidad de veces posible durante las siguientes 12 horas para permitir que el contenido alcance la temperatura programada.
6. Mantenga el compartimiento de almacenamiento relativamente lleno; el artefacto funcionará durante menos tiempo que con el compartimiento vacío.
7. Verifique que el cierre de la puerta no esté obstruido por los productos almacenados en el artefacto.
8. Si el producto que será almacenado está caliente, deje que alcance la temperatura ambiente antes de colocarlo en el artefacto.
9. Reduzca al mínimo la cantidad de veces que abre la puerta y el tiempo en que esta permanece abierta.
10. Utilice la temperatura de consigna más cálida que se adapte a sus preferencias personales y que ofrezca el almacenamiento más adecuado para sus productos.
11. Cuando esté de vacaciones o fuera de casa durante períodos prolongados, ajuste el artefacto a la temperatura más cálida aceptable por los productos almacenados.
12. Si la limpieza del artefacto requiere que la puerta permanezca abierta durante un período prolongado, ajuste el control a la posición de apagado "Off".
13. Para el almacenamiento de vino:
Si no se necesita que la temperatura de los vinos sea la de servir, ajuste la temperatura de los compartimientos a la ideal (13° C / 55° F) para el almacenamiento prolongado de vino tinto y blanco.

Si necesita asistencia técnica tenga en cuenta lo siguiente

- Si aún no ha finalizado el primer año del período de garantía del producto, comuníquese con su distribuidor o llame al servicio de atención al cliente de Lynx Grills al teléfono 888.289.5969 para solicitar instrucciones sobre cómo obtener cobertura por garantía en su localidad.
- Si el período de garantía de un año ha caducado, el servicio de atención al cliente de Lynx Grills puede recomendarle un centro de servicios técnicos cercano a su domicilio.
- En toda correspondencia referida a asistencia técnica, no olvide incluir el número de servicio/modelo, el número de serie y la prueba de compra de la unidad.
- Trate de obtener toda la información posible o la descripción del problema, cuánto tiempo ha estado en funcionamiento el artefacto, la temperatura de la habitación y cualquier otra información adicional que pueda ser de utilidad para resolver rápidamente el problema.
- La Tabla 'A' se suministra para registrar la información correspondiente a su producto para consultas futuras.

Para su registro	
Fecha de la compra	
Nombre del distribuidor	
Dirección del distribuidor	
Ciudad	
Estado	
Código postal	
Número de serie del artefacto	
Número de servicio/modelo del artefacto	
Fecha en la que envió la tarjeta de la garantía (debe ser dentro de los 10 días de la compra).	

Tabla A

LOCALIZACIÓN DE FALLAS

Antes de llamar al servicio técnico siga estos consejos

Si el artefacto parece estar funcionando mal, lea primero este manual. Si el problema persiste, vea la guía de localización de fallas incluida a continuación. Antes de llamar al servicio técnico, localice el problema en la guía y consulte su causa y su solución. Tal vez el problema sea algo muy simple que puede resolverse sin llamar al servicio técnico. Sin embargo, puede ser necesario ponerse en contacto con su distribuidor o con un técnico de servicio calificado.



ADVERTENCIA

Peligro de electrocución

- Nunca intente reparar o realizar tareas de mantenimiento en el artefacto sin haberlo previamente desconectado de la alimentación eléctrica. Apagar el artefacto desde el control no desconecta la corriente eléctrica de los cables del artefacto.
- Vuelva a colocar todas las piezas y paneles antes de poner en funcionamiento.



PRECAUCION

En el caso improbable que usted pierda enfriamiento en su unidad, **no desenchufe la unidad fuera del suministro eléctrico**, y llame inmediatamente un técnico de servicio calificado. Es posible que la pérdida de capacidad de enfriamiento sea el resultado de una acumulación excesiva de escarcha en el serpentín de enfriamiento del evaporador. En este caso, retirar la energía que va hacia la unidad resultará en el derretimiento de esta cantidad excesiva de hielo, lo cual podría generar que el agua derretida exceda la capacidad del sistema colector de agua descongelada y podría resultar en daño por agua de su casa. El usuario final será el responsable final de cualquier daño por agua causado por apagar prematuramente la unidad sin manejar apropiadamente el exceso de agua de rebose.

Problema	Causa posible	Solución
El artefacto no enfría lo suficiente (vea "Ajuste de la temperatura" en la página 10).	<ul style="list-style-type: none"> • El control está ajustado a una temperatura muy alta. • La temperatura del contenido no se ha estabilizado. • Uso excesivo o aperturas prolongadas de la puerta. • Obstrucción del flujo de aire en la rejilla delantera. • La junta de la puerta no sella correctamente. 	<ul style="list-style-type: none"> • Ajuste a una temperatura más fría. Espere 24 horas hasta que la temperatura se estabilice. • Deje que la temperatura se estabilice por al menos 24 horas. • El flujo de aire por la rejilla delantera no debe estar obstruido. Vea "Espacios libres" en la página 4. • Reemplace la junta de la puerta.
El artefacto enfría demasiado (vea "Ajuste de la temperatura" en la página 10).	<ul style="list-style-type: none"> • El control está ajustado a una temperatura muy baja. • La junta de la puerta no sella correctamente. 	<ul style="list-style-type: none"> • Ajuste a una temperatura más cálida. Espere 24 horas hasta que la temperatura se estabilice. • Reemplace la junta de la puerta.
La luz interior no funciona.	<ul style="list-style-type: none"> • Bombilla está quemada 	<ul style="list-style-type: none"> • Comuníquese con un técnico de servicio calificado.
La luz no se apaga al cerrar la puerta.	<ul style="list-style-type: none"> • La luz ha sido encendida desde el control • La puerta no activa el interruptor de la luz. • Falla del interruptor de la luz. 	<ul style="list-style-type: none"> • Apague la luz desde el control, cierre la puerta. • El artefacto está desnivelado; nivele el artefacto (vea "Patatas niveladoras" en la página 4). • Comuníquese con un técnico de servicio calificado.
Ruido o vibración.	<ul style="list-style-type: none"> • El artefacto está desnivelado. • El ventilador golpea contra una obstrucción en el conducto. 	<ul style="list-style-type: none"> • Nivele el artefacto, vea "Patatas niveladoras" en la página 4. • Comuníquese con un técnico de servicio calificado.
El artefacto no funciona.	<ul style="list-style-type: none"> • El artefacto está apagado. • El cordón de alimentación no está enchufado. • No hay energía en la toma de corriente. 	<ul style="list-style-type: none"> • Encienda el artefacto. Vea "Puesta en funcionamiento de su artefacto" en la página 10. • Enchufe el cordón de alimentación. • Revise el circuito de la casa.

LA HISTORIA DE LYNX

Lynx comenzó con una visión.

Un pequeño grupo de ingenieros de fabricación con más de un siglo de experiencia colectiva tuvo un sueño. Se atrevieron a tomar su amplio conocimiento de fabricación comercial y crear una línea de productos de cocina al aire libre que ofrecen elegancia comercial y rendimiento al mercado de consumo.



Lynx ha tomado la calidad, mano de obra, servicio e innovación del mercado comercial y la incorporó a la línea Lynx Professional Grills de productos de consumo y comercial. La combinación de diseño creativo, materiales de calidad superior y la artesanía excepcional eleva productos Lynx a una clase propia.

Los productos comerciales originales de Lynx se usan todos los días en restaurantes, hoteles y parques temáticos a través de los Estados Unidos:

Clientes satisfechos de Lynx

- TGI Fridays
- Applebee's
- Houston's
- Red Lobster
- Hard Rock Café
- Wolfgang Puck's
- Cheesecake Factory
- Red Robin
- Planet Hollywood
- Hilton
- Hyatt
- Four Seasons Marriott
Le Meridian
- Sheraton
- Conrad International
- Bellagio
- New York New York
- MGM Grand
- Treasure Island
- Mirage
- Paris
- Venetian
- Excalibur
- Mandalay Bay
- Riviera
- Desert Inn
- Hard Rock Hotel
- Disney World



Los mejores productos de cocina exteriores provienen de:
Lynx Grills, Inc. 7300 Flores Street Downey, CA 90242
Servicio: (888)-289-5969 Fax: (562) 299-6789
www.lynxgrills.com