



CLEAR ICE AND NUGGET ICE MACHINES

Viking Professional 5 Series – FGIM/FPIM/FGNI/FPNI

PROFESSIONAL FEATURES

- Two different ice machine styles produce either clear cube ice or restaurant-style soft and chewable nugget ice
 - Clear ice machines produce up to 65 pounds of ice per day (1" x 1-1/8" x 1-1/4" cube thickness)
 - Nugget ice machines produce up to 80 pounds of ice per day
- 26-pound capacity ice bin
- LED light in ice bin
- LED control panel
 - Power On/Off
 - Check Water Alert
 - Time to Clean Alert
- Water quality sensor detects water conditions
- Normal operating range 50 to 100 degrees F (10 to 37.7 degrees C)
- Low energy and water usage
- Insulated electrical terminals, sealed electrical contacts, and a water-resistant thermostat provide optimal performance in all weather elements allowing to be used in an outdoor environment



PROFESSIONAL-STYLE CONSTRUCTION

- Stainless steel exterior cabinet
- Tru-Flush design allows ice machine to fit flush into 24" deep installation cutout
- Self-closing door
- 90-degree door stop option
- Black kickplate with stainless steel cover
- Adjustable leveling legs

MODEL NUMBERS

- FGIM515 – 15"W. Clear Ice Machine; Gravity Drain
- FPIM515 – 15"W. Clear Ice Machine; Drain Pump
- FGNI515 – 15"W. Nugget Ice Machine; Gravity Drain
- FPNI515 – 15"W. Nugget Ice Machine; Drain Pump

ACCESSORIES

- PIDP15(L/R)SS – Stainless steel professional door panel for indoor ice machines
- PIDP15T(L/R)SS – Stainless steel professional door panel for outdoor use
- DPFGIM – Drain pump for ice machine
- IMC160Z – Ice machine cleaner

DESIGN OPTIONS

- Units ship with no door front; accepts custom panel or accessory Professional door panel
- Blends seamlessly into cabinetry with locally supplied front panel

WARRANTY

- 2-year full covers complete unit
- 6-year full – sealed refrigeration system
- 90-day full – cosmetic parts such as glass, painted items, and decorative items
- 12-year limited – sealed refrigeration system



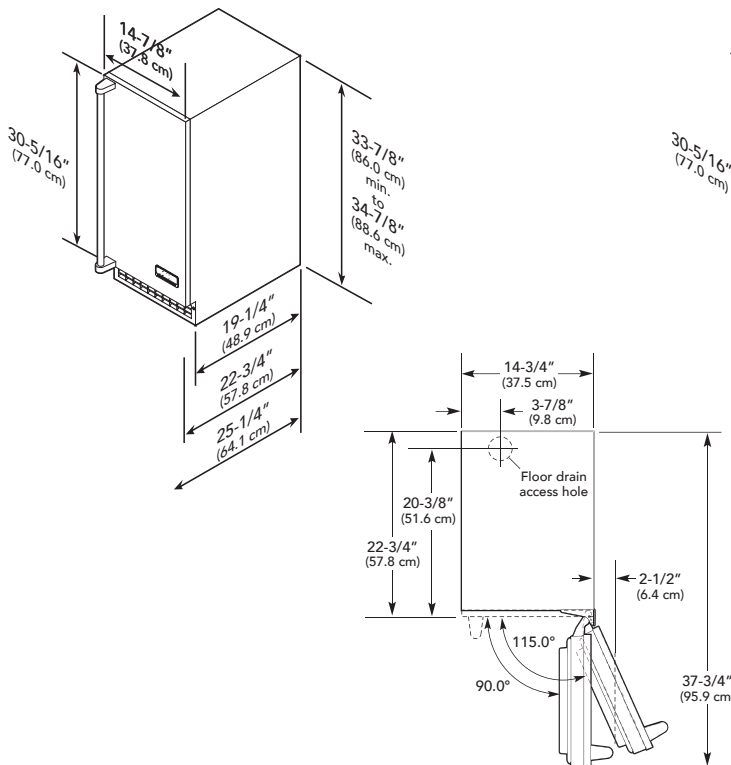
CLEAR ICE AND NUGGET ICE MACHINES

Viking Professional 5 Series – FGIM/FPIM/FGNI/FPNI

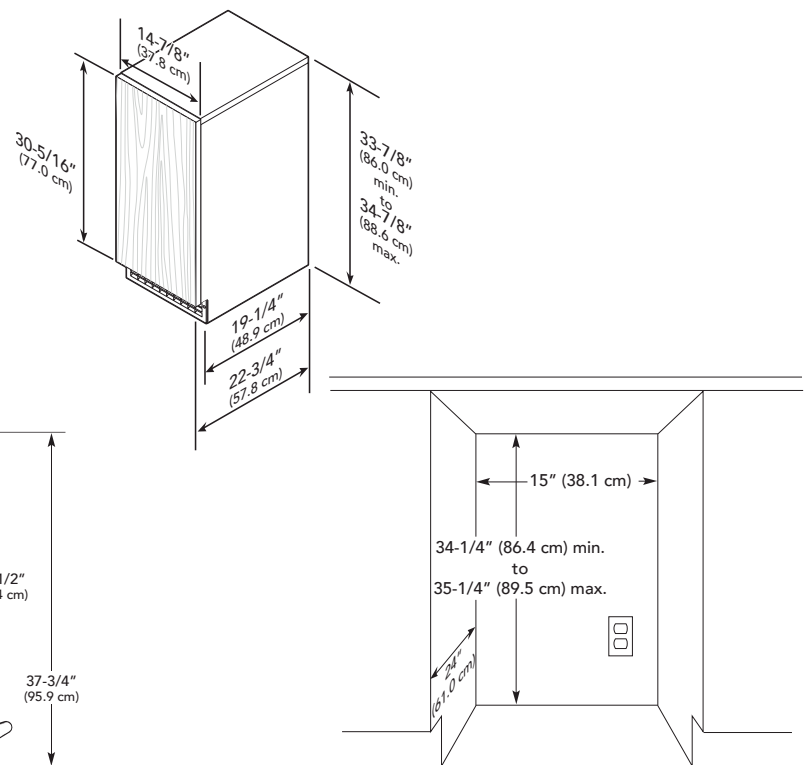
15" W. ICE MACHINES		
DESCRIPTION	FGIM/FGNI515	FPIM/FPNI515
Overall Width	14-7/8" (37.8 cm)	
Overall Height	33-7/8" (86.1 cm) minimum to 34 7/8" (88.6 cm) maximum	
Overall Depth from Rear	Without door panel – 22" (55.9 cm) To front of door panel – 22-3/4" (57.8 cm) To front of handle – 25-1/4" (64.1 cm)	
Cutout Width	15" (38.1 cm)	
Cutout Height	34-1/4" (86.4 cm) minimum; 35-1/4" (89.5 cm) maximum	
Cutout Depth	24" (61.0 cm)	
Electrical Requirements	115V/60 Hz; 15-amp dedicated circuit; 6' (182.9 cm), 3-wire cord attached to product	
Maximum Amp Usage	5.0 amps	
Inlet Water Requirements	1/4" copper tubing inlet waterline; 20 psi minimum to 80 psi maximum 50° F (10° C) minimum to 100° F (38° C) maximum	
Drain Requirements	5/8" ID x 7/8" OD plastic tubing required	3/8" ID x 10' plastic tubing supplied
Temperature Requirements	50° F (10° C) minimum to 100° F (38° C) maximum	
Maximum Storage Capacity	26 lb. (11.8 kg)	
Approximate Shipping Weight	113 lb. (51.3 kg)	118 lb. (56.2 kg)

Please do not prepare installation from brochure data only. See installation instructions for important clearance/installation information.

WITH PROFESSIONAL DOOR PANEL



WITH CUSTOM DOOR PANEL



VIKING RANGE, LLC 111 FRONT STREET GREENWOOD, MISSISSIPPI 38930 USA

For detailed product information, model numbers, or to request a quote call 1-888-845-4641 or visit vikingrange.com
© 2014 Viking Range, LLC All rights reserved. Specifications subject to change without notice.