



6 SERIES BUILT-IN ELECTRIC 30"W. OVENS

VIKING VIRTUOSO 6 SERIES – MVSOE/MVDOE

FEATURES AND FUNCTIONS

- State-of-the-art color interface controls both ovens
- New, transitional design fits perfectly in today's transitional/contemporary kitchens
- Can be installed flush or standard mount
- Two speed convection system circulates air throughout the entire oven cavity
- Concealed 6 pass bake element makes clean-up easy
- 10-pass broiler with heat reflector
- Two halogen oven lights
- Two Full-Extension TruGlide™ racks, one standard/five porcelain coated rack positions (both ovens of double oven)
- Digital clock/oven functions
- 100 minute timer
- Set cooking time for up to 12 hours
- Delay timed cooking feature
- Tone and digital display indicate pre-set cooking time is finished
- Meat probe - timer sounds and oven shuts off when desired temp is reached Only in upper oven of double oven
- Self-Clean ovens
- Oven functions
 - Two element bake
 - Convection bake
 - TruConvec™ convection cook (element around fan)
 - Convection roast
 - Convection broil
 - Hi broil
 - Med broil
 - Low broil
- Extra large self-cleaning ovens
 - Overall - 25"W. x 16"H. x 18 ½"D. – 4.3 cu. ft.
 - AHAM standard - 25"W. x 16"H. x 16 ¾"D. – 3.8 cu. ft.
- Can be installed flush or standard mount

EASY MAINTENANCE AND CLEANUP

- Extra large self-clean convection oven
- Concealed six-pass bake element makes cleaning bottom of oven easy
- Durable metal die-cast knobs with child-proof, push-to-turn safety feature



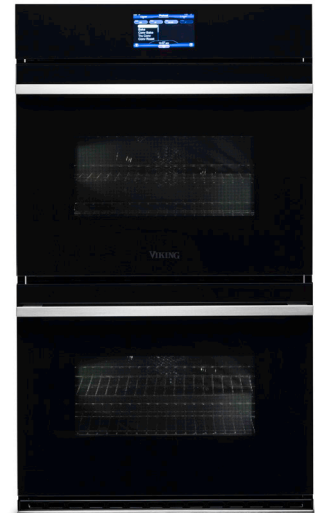
MVSOE630SS



MVSOE630BG



MVDOE630SS



MVDOE630BG

MODEL NUMBERS

- MVSOE630SS – 30"W. Single Oven – SS with round handle
- MVDOE630SS – 30"W. Double Oven – SS with round handle
- MVSOE630BG – 30"W. Single Oven – Black Glass with rectangular handle
- MVDOE630BG – 30"W. Double Oven – Black Glass with rectangular handle

COLOR FINISHES

Available in Stainless Steel or All Black Glass

WARRANTY

- 2-year full - complete product
- 90-day full - cosmetic parts such as glass, painted items and decorative items
- 5-year limited - electric heating elements

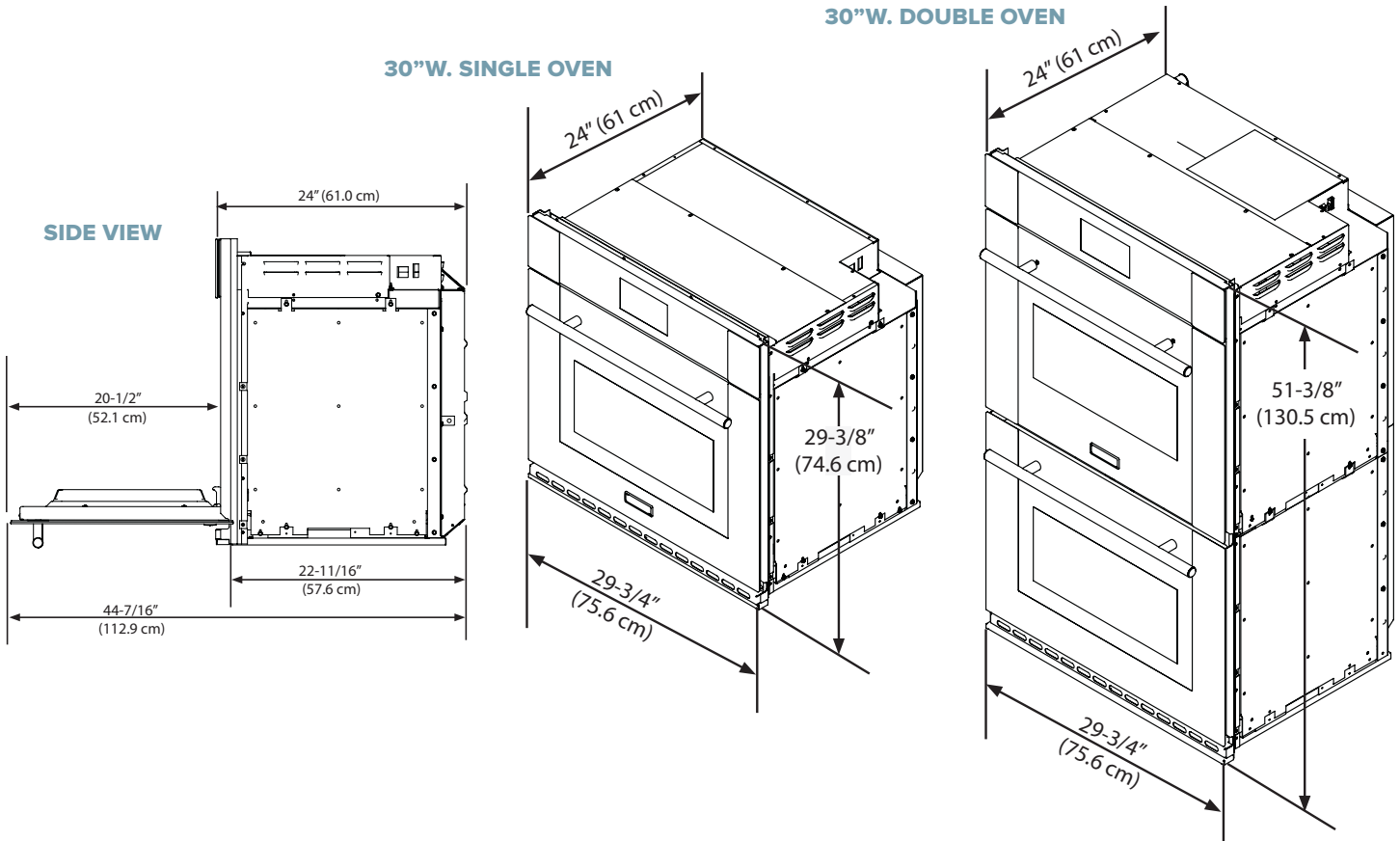


6 SERIES BUILT-IN ELECTRIC 30"W. OVENS

VIKING VIRTUOSO 6 SERIES – MVSOE/MVDOE

ELECTRIC OVENS		
DESCRIPTION	MVSOE630	MVDOE630
Overall Width	29-3/4" (75.6 cm)	
Overall Height	29-3/8" (74.6 cm)	51-3/8" (130.5 cm)
Overall Depth To front of glass door To front of handle	24" (61.0 cm) 26-7/16" (67.2 cm)	
Cutout Width Standard Mount Flush Mount	28-1/2" (72.4 cm) 30" (76.2 cm)	
Cutout Height Standard Mount Flush Mount	28-1/4" (71.8 cm) 29-1/2" (74.9 cm)	50-5/8" (128.5 cm) 51-1/2" (130.8 cm)
Cutout Depth	24" (61.0 cm)	
Electrical Requirements	4-wire ground, 240 VAC, 30 amp electrical connection for single ovens/ 50 amp for double ovens. Unit is equipped with No. 10 ground wire in conduit. Should be fused separately.	
Maximum Amp Usage	240 VAC - 24.0 amps 208 VAC - 20.8 amps	240 VAC - 40.0 amps 208 VAC - 34.7 amps
Interior Dimensions	25"W. (63.5 cm) x 16"H. (40.6 cm) x 18-1/2"D. (50.0 cm)	
Oven Volume	(AHAM Standard) 3.8 cu. ft.; Total Oven Cavity 4.3 cu. ft	
Approximate Shipping Weight		

Please do not prepare installation from brochure data only. See installation instructions for important clearance/installation information.



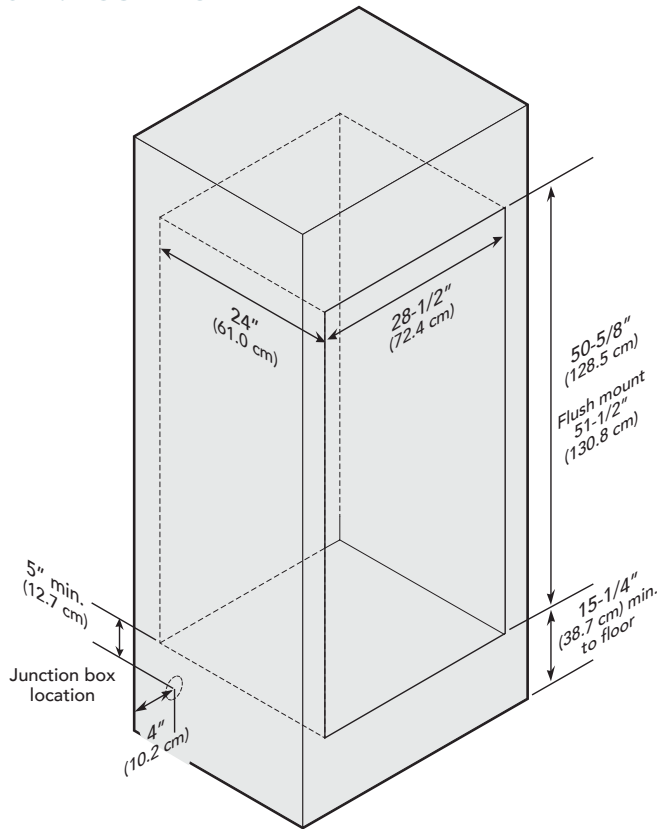


6 SERIES BUILT-IN ELECTRIC 30"W. OVENS

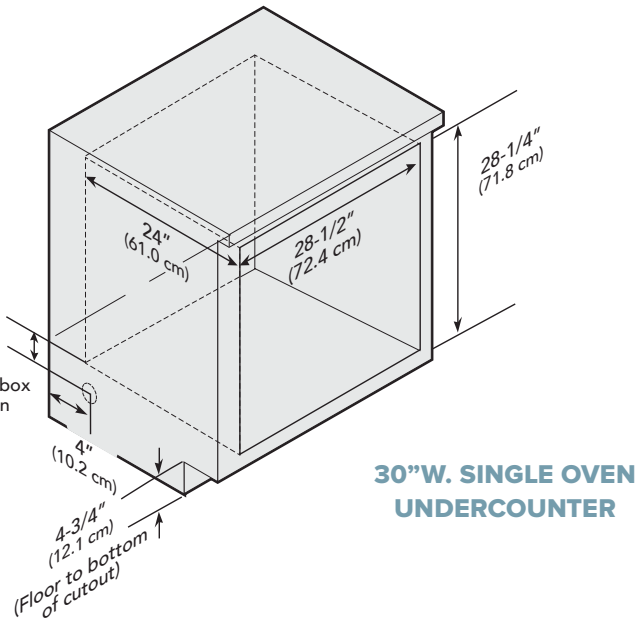
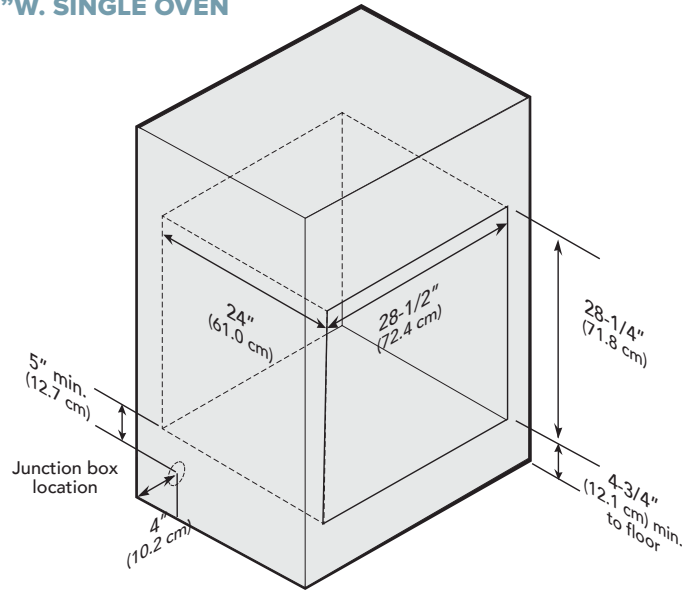
VIKING VIRTUOSO 6 SERIES – MVSOE/MVDOE

CUTOUT DIMENSIONS - STANDARD

30"W. DOUBLE OVEN



30"W. SINGLE OVEN



30"W. SINGLE OVEN UNDERCOUNTER

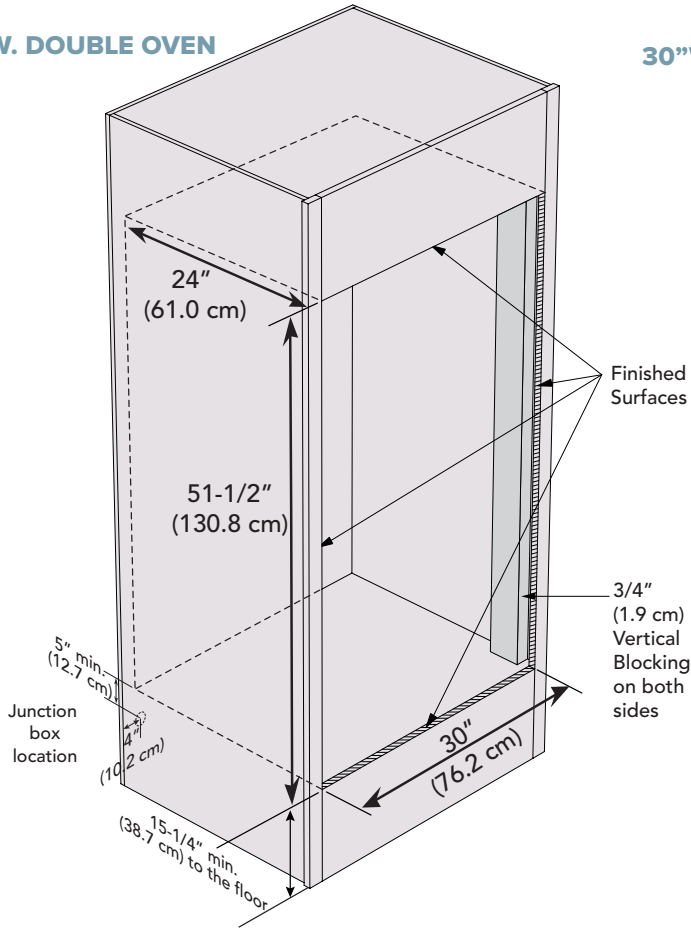


6 SERIES BUILT-IN ELECTRIC 30"W. OVENS

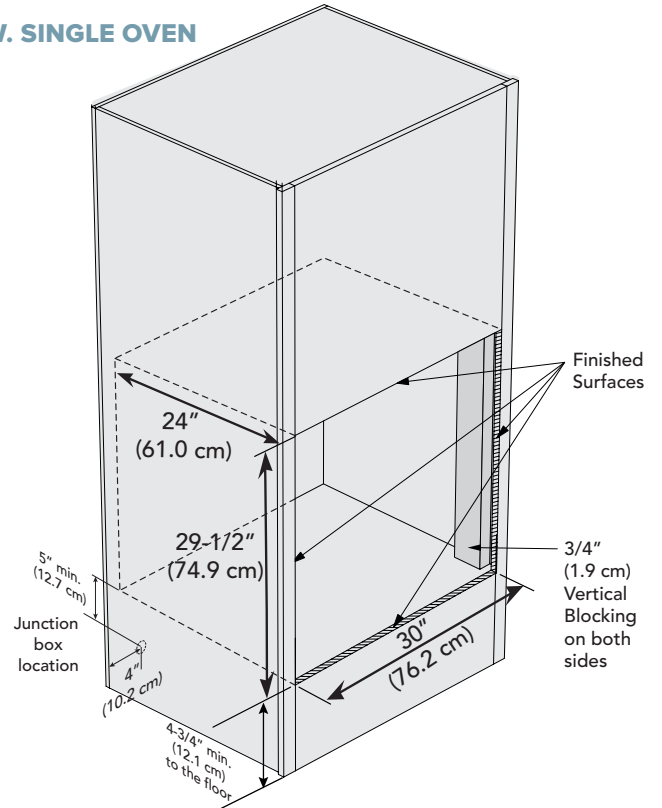
VIKING VIRTUOSO 6 SERIES – MVSOE/MVDOE

CUTOUT DIMENSIONS - FLUSH MOUNT

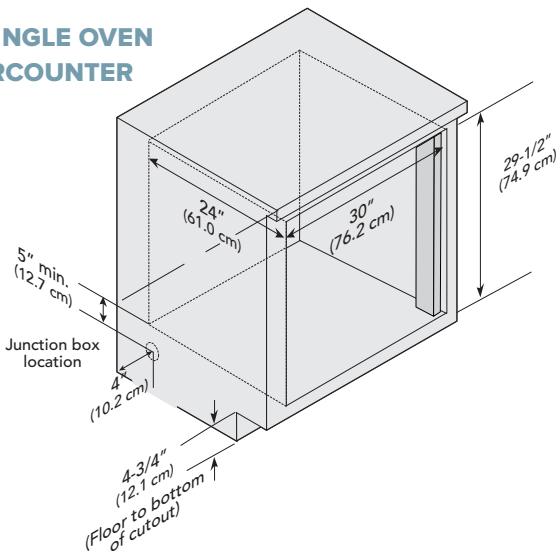
30"W. DOUBLE OVEN



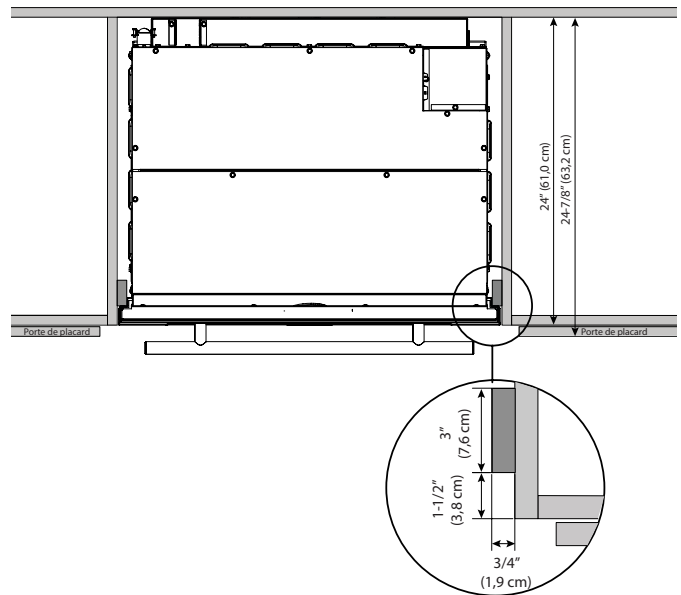
30"W. SINGLE OVEN



30"W. SINGLE OVEN UNDERCOUNTER



TOP VIEW



VIKING RANGE, LLC 111 FRONT STREET GREENWOOD, MISSISSIPPI 38930 USA

For detailed product information, model numbers, or to request a quote call 1-888-845-4641 or visit vikingrange.com
© 2018 Viking Range, LLC All rights reserved. Specifications subject to change without notice.