

# Installation GUIDE



## **5 SERIES** Warming Drawer

VWD527  
VWD530

# Table of Contents

|                                     |   |
|-------------------------------------|---|
| Important Safety Instructions _____ | 2 |
| Dimensions _____                    | 3 |
| Specifications _____                | 4 |
| Cutout Dimensions _____             | 4 |
| Electrical Requirements _____       | 5 |
| General Information _____           | 5 |
| Installation _____                  | 6 |
| Final Preparation _____             | 7 |
| Service & Registration _____        | 7 |

## Important Safety Instructions – Read and Follow!


Before beginning, please read these instructions completely and carefully.

|  |
|--|
| <b>⚠ WARNING</b>   |
| If the information in this manual is not followed exactly, a fire or explosion may result causing property damage, personal injury or death.   |
| <b>⚠ DANGER</b>  |
| Hazards or unsafe practices which <b>WILL</b> result in severe personal injury or death  |
| <b>⚠ WARNING</b>   |
| Hazards or unsafe practices which <b>COULD</b> result in death or severe personal injury   |
| <b>⚠ CAUTION</b>   |
| Hazards or unsafe practices which <b>COULD</b> result in minor personal injury.<br>All safety messages will identify the hazard, tell you how to reduce the chance of injury, and tell you what can happen if the instructions are not followed. |

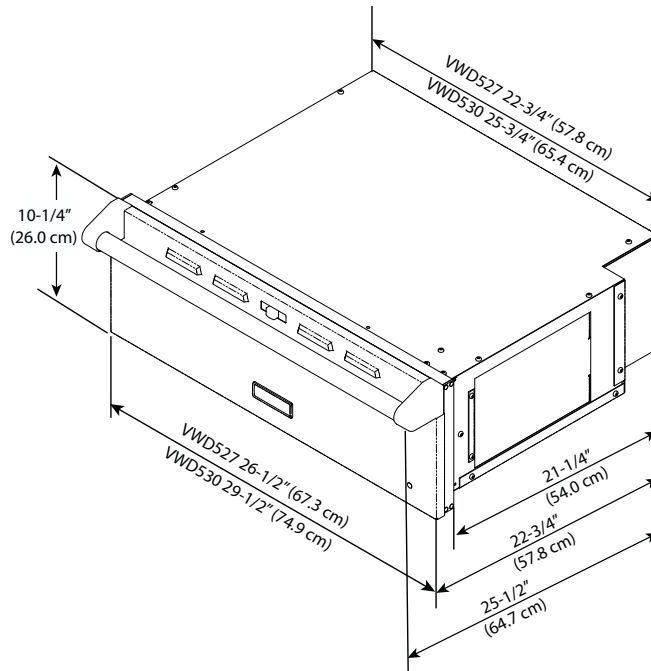
- DO NOT remove permanently affixed labels, warnings, or plates from product. This may void the warranty.
- All local and national codes and ordinances must be observed. Installation must conform with local codes, or in the absence of codes, the National Electrical Code, ANSI/NFPA-70 – latest edition.
- The installer must leave these instructions with the consumer who should retain for local inspector's use and for future reference.

In Canada: Installation must be in accordance with the current CSA C22.1 Canadian Electrical Codes Part 1 and/or local codes.

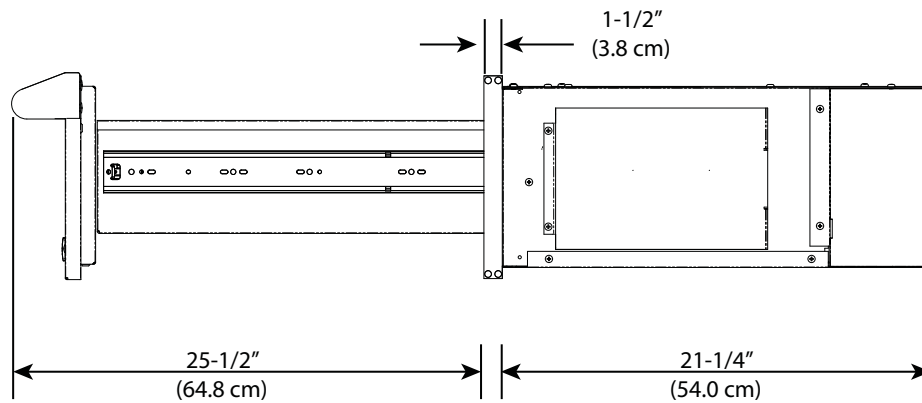
|  |
|--|
| <b>⚠ WARNING</b>   |
| To reduce the risk of fire, electric shock, or injury to persons, installation work and electrical wiring must be done by qualified people in accordance with all applicable codes and standards, including fire-rated conditions. |

|   |
|---|
| <b>⚠ WARNING</b>  |
| <b>ELECTRICAL SHOCK HAZARD</b>  |
|  This appliance is equipped with a 3-prong power cord with a grounding plug for your protection against shock hazard and should be plugged directly into a properly grounded receptacle. Only use power cord supplied with the unit. |

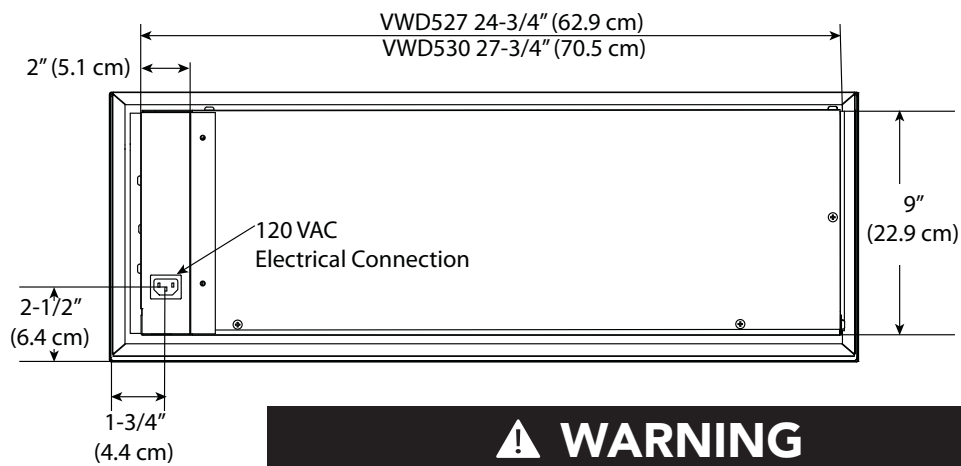
# Dimensions



Side View



Rear View



**⚠ WARNING**

**ELECTRICAL SHOCK HAZARD**

This appliance is equipped with a 3-prong power cord with a grounding plug for your protection against shock hazard and should be plugged directly into a properly grounded receptacle. Only use power cord supplied with the unit.

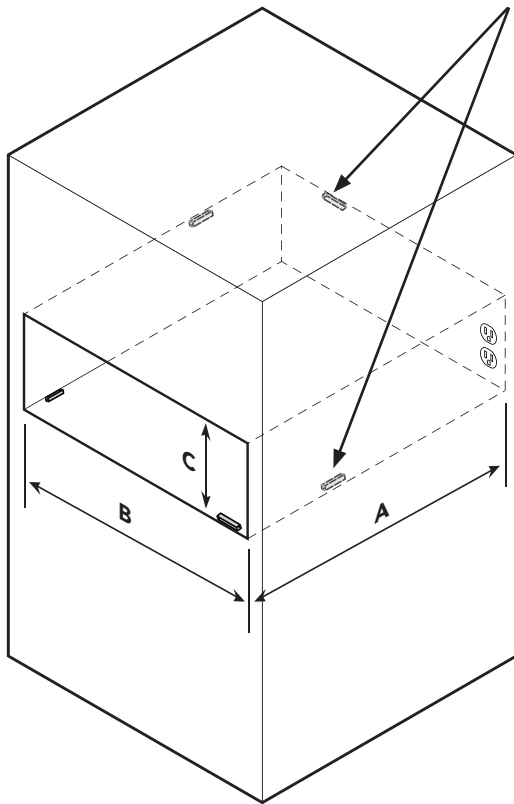
# Specifications

| Description                | VWD527  | VWD530            |
|----------------------------|---|-------------------|
| Overall width              | 26-1/2" (67.3 cm)                             | 29-1/2" (74.9 cm) |
| Overall height             | 10-1/4" (26.0 cm)                             |                   |
| Overall depth              | 25-1/2" (64.8 cm)                             |                   |
| To end of handle           | 48-1/4" (122.6 cm)                            |                   |
| With drawer fully extended | 19-1/8" (48.6 cm)                             | 22-1/8" (56.1 cm) |
| Interior width             | 5-1/2" (14.0 cm)                              |                   |
| Interior height            | 20-1/4" (51.4 cm)                             |                   |
| Interior depth             | 4.08 Amps                                     |                   |
| Electrical requirement     | 120V/15 amp power cord included with the unit |                   |
| Max Amp Usage              | 80 lb. (36 kg)                                |                   |
| Approx. shipping wt.       | 90 lb. (40.5 kg.)                             |                   |

## Cutout Dimensions

Spacers can be placed anywhere inside the cutout as needed to make sure unit is level and does not tilt.

Electrical receptacle can be located anywhere on back cutout. Preferred location is the rear right so that excess cord can lie in space behind control panel.



| DIM | Standard Mount<br>VWD527 | Flush Mount*<br>VWD527 |
|-----|--------------------------|------------------------|
| A   | 23-1/2" (59.7 cm)        | 24-7/8" (63.2 cm)      |
| B   | 25-1/4" (64.1 cm)        | 26-3/4" (67.9 cm)      |
| C   | 9-1/4" (23.5 cm)         | 10-1/2" (26.7 cm)      |

| DIM | Standard Mount<br>VWD530 | Flush Mount*<br>VWD530 |
|-----|--------------------------|------------------------|
| A   | 23-1/2" (59.7 cm)        | 24-7/8" (63.2 cm)      |
| B   | 28-1/4" (71.7 cm)        | 29-3/4" (75.6 cm)      |
| C   | 9-1/4" (23.5 cm)         | 10-1/2" (26.7 cm)      |

\*When installing in a flush mount application, spacers may be required to ensure unit remains level and does not tilt forward when opened. Spacers can be placed on top or bottom - front or rear of cabinet. Location and size will vary based on installation and cutout. Outer cabinet edges need to be finished.


# Electrical Requirements

- Check your national and local codes regarding this unit.
- Use 120V/15 amp power cord included with the unit.

## Electrical Connection

**⚠ WARNING**

**ELECTRICAL SHOCK HAZARD**

 This appliance is equipped with a 3-prong power cord with a grounding plug for your protection against shock hazard and should be plugged directly into a properly grounded receptacle. Do not cut or remove the grounding prong from this plug. Unit must be grounded in accordance with local codes or with the National Electrical Code ANSI/NFPA 70, or the Canadian Electrical Code, CSA C22.

## General Information

- When installing this unit directly below other units, only install with Viking Range, LLC built-in products.
- Remove warming drawer carefully from carton. Remove all loose packaging and accessories.
- It is the responsibility of the installer to comply with local codes. If no local codes are applicable, wire in accordance with the National Electrical Code, ANSI/NFPA-70 – latest edition.
- Line disconnect switch, circuit breaker, GFI (for outdoor models) or plug/ receptacle of power cord connection should be readily accessible to the operator.
- Ground unit per applicable electrical codes.
- Any installation not matching the specifications discussed in these instructions will void the manufacturer's warranty.

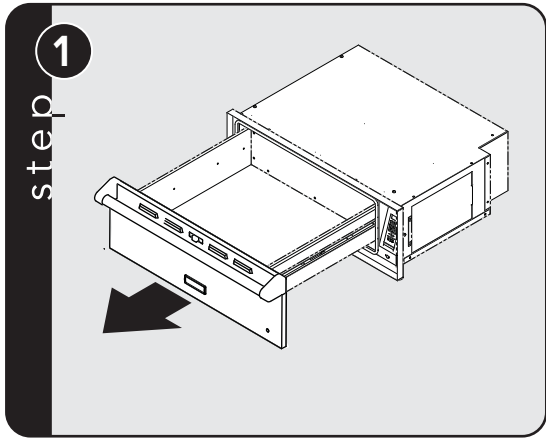
**READ AND FOLLOW ALL WARNING AND CAUTION INFORMATION WHEN INSTALLING THIS APPLIANCE.**

### **Moving, Handling and Unpacking**

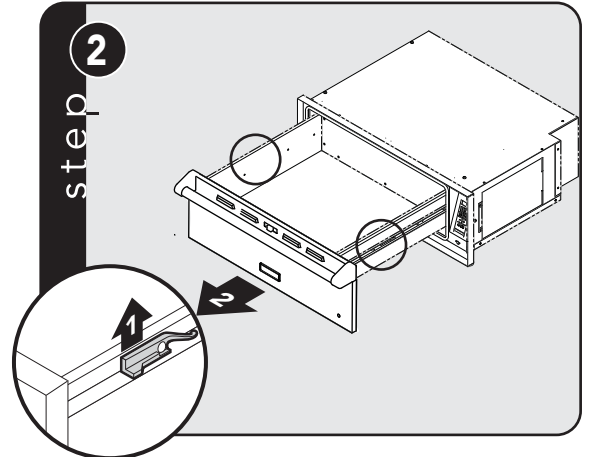
Remove and discard all packing materials, including cardboard and tape on the outside and inside of the warming drawer.

Some stainless steel parts may have a plastic protective wrap which must be peeled off. The interior should be washed thoroughly with hot, soapy water to remove film residues and any dust or debris before being used, then rinsed and wiped dry. Solutions stronger than soap and water are rarely needed.

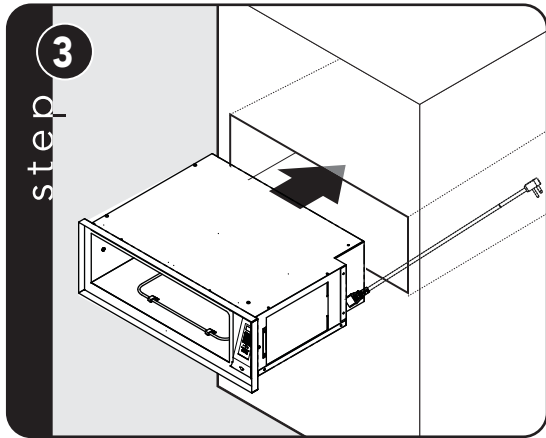
# Installation



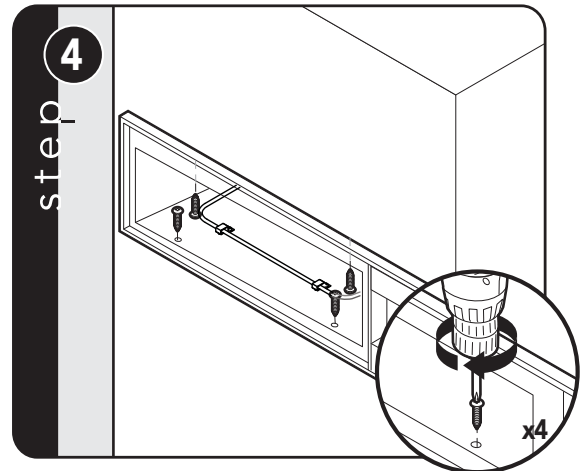
Pull out warming drawer pan until fully extended



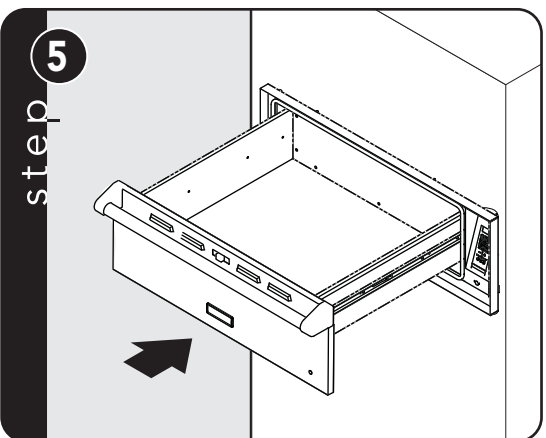
Slide finger along right and left side until you reach the hand latches (located approximately in the center of the rail). Pull up on the left side latch and push down on the right side latch at the same time. Pull out the drawer pan.



Attach cord to the back of the control panel and plug into receptacle in cutout. Slide warming drawer cavity into the cabinet opening. To avoid an electrical shock hazard, make sure you only use the cord provided with the unit.



Secure the warming drawer to the cutout using the four mounting screws which are provided.



Replace warming drawer pan assembly.

# Final Preparation

All stainless steel body parts should be wiped with hot, soapy water and with a liquid cleaner designed for this material. If buildup occurs, DO NOT use steel wool, abrasive cloths, cleansers, or powders! If it is necessary to scrape stainless steel to remove encrusted materials, soak with hot, wet cloths to loosen the material, then use a wool or nylon scraper. DO NOT use a metal knife, spatula, or any other material tool to scrape stainless steel! Scratches are almost impossible to remove.

## Service Information

If service is required, call your authorized service agency.

Have the following information readily available.

- Model number
- Serial number
- Date purchased
- Name of dealer from whom purchased

Clearly describe the problem that you are having. If you are unable to obtain the name of an authorized service agency, or if you continue to have service problems, contact Viking Range, LLC at 1-888-845-4641, or write to:

**Viking Range, LLC  
PREFERRED SERVICE  
111 Front Street  
Greenwood, Mississippi 38930 USA**

Record the information indicated below. You will need it if service is ever required. The model and serial number for your warming drawer Rating/Serial plate is located on the left, rear side.

Model no. \_\_\_\_\_ Serial no. \_\_\_\_\_

Date of purchase \_\_\_\_\_ Date Installed \_\_\_\_\_

Dealer's name \_\_\_\_\_

Address \_\_\_\_\_

If service requires installation of parts, use only authorized parts to insure protection under the warranty.

Viking Range, LLC  
111 Front Street  
Greenwood, Mississippi 38930 USA  
(662) 455-1200

For product information, call 1-888-845-4641  
or visit our website at [vikingrange.com](http://vikingrange.com)

