



★ ————— ★

*The originator of professional performance for your home  
brings you a taste of Italy you can enjoy every day.*





Florence, Italy is known for outstanding food, delicious wine, impeccable design, and attention to detail. Combining Italian design with Viking Professional performance, the Tuscany range was born in the heart of Italy. These sophisticated new Italian Provincial ranges are sized and featured to meet the needs of American architecture and lifestyles. Incorporating the highest quality materials and unsurpassed reliability Viking is known for, Viking Tuscany is offered in multiple configurations and options to meet the most discriminating tastes.



### TUSCANY RANGE - 66" WIDE

- Three different top configurations
  - TVDR6608B – 8 gas burners
  - TVDR6606G – 6 gas burners; electric griddle
  - TVDR6606I – 6 gas burners; 2 induction elements

### COOKING FEATURES

- High performance burners provide fast boil times and a gentle simmer
  - 20,000 BTU – 8,500 BTU high burner ratings
- Stainless steel burner pan
- Electronic single point, spark ignition/re-ignition on all burners
- Porcelain coated cast iron burner grates
- Optional surface configurations
  - Machined steel griddle/simmer plate (with grease collection drawer)
- 3.8 cu ft. electric oven (both ovens)
  - 25 3/4" W. x 13" H. x 19 5/8" D.
  - Stainless steel oven cavity
  - Six rack positions with two oven racks including one TruGlide™ Rack
  - Eight cooking functions – Bake, Convection Bake, Tru Convection, Low Broil, High Broil, Convection Broil, Defrost, Proof
  - Two oven lights
- Storage drawer for baking pans with soft-close glides
- Polished chrome die cast knobs

### TUSCANY RANGE



TVDR6608B



TVDR6606G



TVDR6606I



TVDR4806B



## TUSCANY RANGES - 48" WIDE

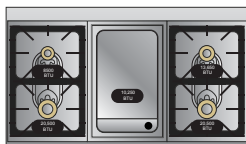
- Five different top configurations
  - TVDR4806B – 6 gas burners
  - TVDR4804G – 4 gas burners; electric griddle
  - TVDR4804I – 4 gas burners; 2 induction elements
  - TVDR4802GI – 2 gas burners; electric griddle; 2 induction elements
  - TVDR4804F – 4 gas burners; French top

## COOKING FEATURES

- High performance burners provide fast boil times and a gentle simmer
  - 20,000 BTU – 8,500 BTU high burner ratings
- Stainless steel burner pan
- Electronic single point, spark ignition/re-ignition on all burners
- Porcelain coated cast iron burner grates
- Optional surface configurations
  - Machined steel griddle/simmer plate (with grease collection drawer)
  - Cast iron French top
  - Induction elements
- 3.8 cu ft. electric oven (left oven)
  - 25 3/4"W. x 13"H. x 19 5/8" D.
  - Stainless steel oven cavity
  - Six rack positions with two oven racks including one TruGlide™ Rack
  - Eight cooking functions – Bake, Convection Bake, Tru Convection, Low Broil, High Broil, Convection Broil, Defrost, Proof
  - Two oven lights
- 2.4 cu ft. oven (right oven)
  - 11 5/8"W. x 18 1/4"H. x 19 5/8"D.
  - Convection bake
  - Side swing oven door
  - One oven rack
- Storage drawer for baking pans with soft-close glides
- Polished chrome die cast knobs



## TOP CONFIGURATIONS



TVDR4804G



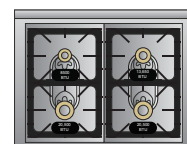
TVDR4804I



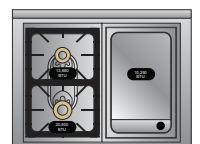
TVDR4802GI



TVDR4804F



TVDR3604B



TVDR3602G





## TUSCANY RANGE - 36" WIDE

- Two different top configurations
  - TVDR3604B – 4 gas burners
  - TVDR3602G – 2 gas burners; electric griddle

## COOKING FEATURES

- High performance burners provide fast boil times and a gentle simmer
  - 20,000 BTU – 8,500 BTU high burner ratings
- Stainless steel burner pan
- Electronic single point, spark ignition/re-ignition on all burners
- Porcelain coated cast iron burner grates
- Optional surface configurations
  - Machined steel griddle/simmer plate (with grease collection drawer)
- 3.8 cu. ft. electric oven
  - 25 3/4"W. x 13"H. x 19 5/8" D.
  - Stainless steel oven cavity
  - Six rack positions with two oven racks including one TruGlide™ Rack
  - Eight cooking functions – Bake, Convection Bake, Tru Convection, Low Broil, High Broil, Convection Broil, Defrost, Proof
  - Two oven lights
- Full width storage drawer for baking pans with soft-close glides
- Polished chrome die cast knobs



## TUSCANY WALL HOODS - 18"H. / 24"D.

- TVWH360 - 36"W.
- TVWH480 - 48"W.
- TVWH660 - 66"W.
- Canopy only; must also purchase interior or exterior ventilator kit, sold separately
- Backlit LED knobs extend and illuminate to control lighting level and ventilation speed
- Dimmable LED lighting is energy efficient and easily replaceable
- Heat lamps standard (250 watt heat lamp bulb not included)
- Dishwasher-safe commercial-type SS baffle filters with handles
- Separate removable grease trough for easy cleaning
- Heat sensor automatically turns ventilator on full power when temperatures reach uncomfortable levels
- Virtually seamless stainless steel canopy interior for easy cleaning



## TUSCANY DUCT COVERS FOR WALL HOODS

- TDCW36 - 36"W.
- TDCW48 - 48"W.
- TDCW66 - 66"W.
- For use with all TVWH models
- Extends height of hood 12"H. to conceal duct; 12"D.

## TUSCANY DISHWASHER DOOR PANEL KIT

- TVDDP24 - 24"W.
- For use with all FDW model dishwashers (sold separately)



### WARRANTY HIGHLIGHTS

- Viking Signature Warranty
  - Two-year full – complete product
  - Ninety-day full – cosmetic parts such as glass, painted items, and decorative items

### COLOR FINISHES FOR RANGES, HOODS, AND DISHWASHER PANEL

Dark Blue (DB), Antique White (AW), Graphite Black (GB), and Bordeaux (BX)

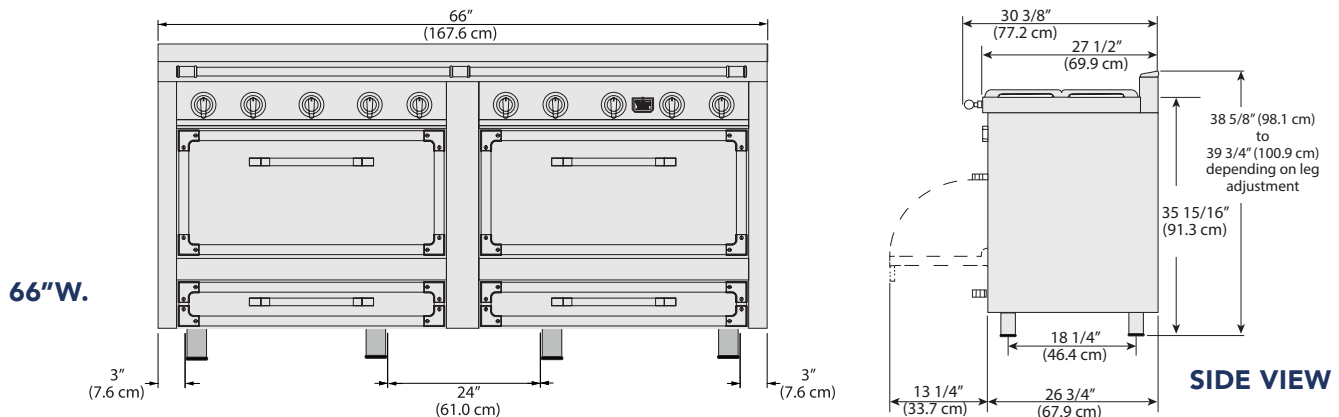
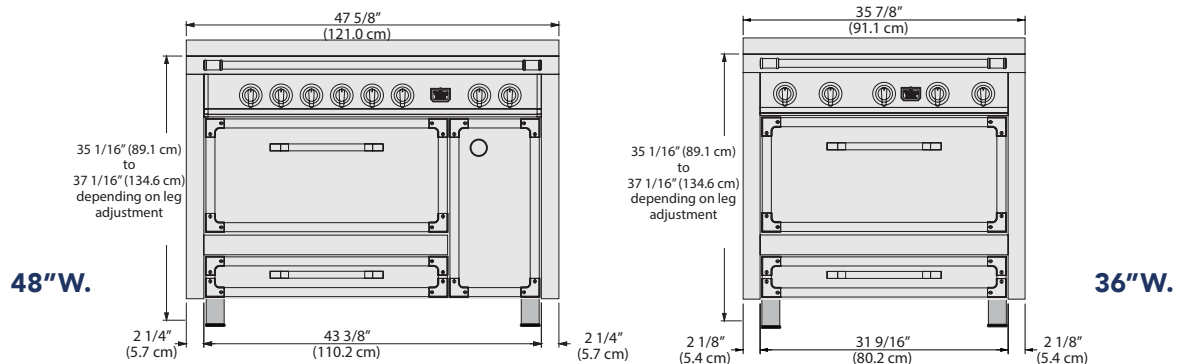
### TRIM FINISH

Polished Chrome



## TUSCANY DUAL FUEL RANGES

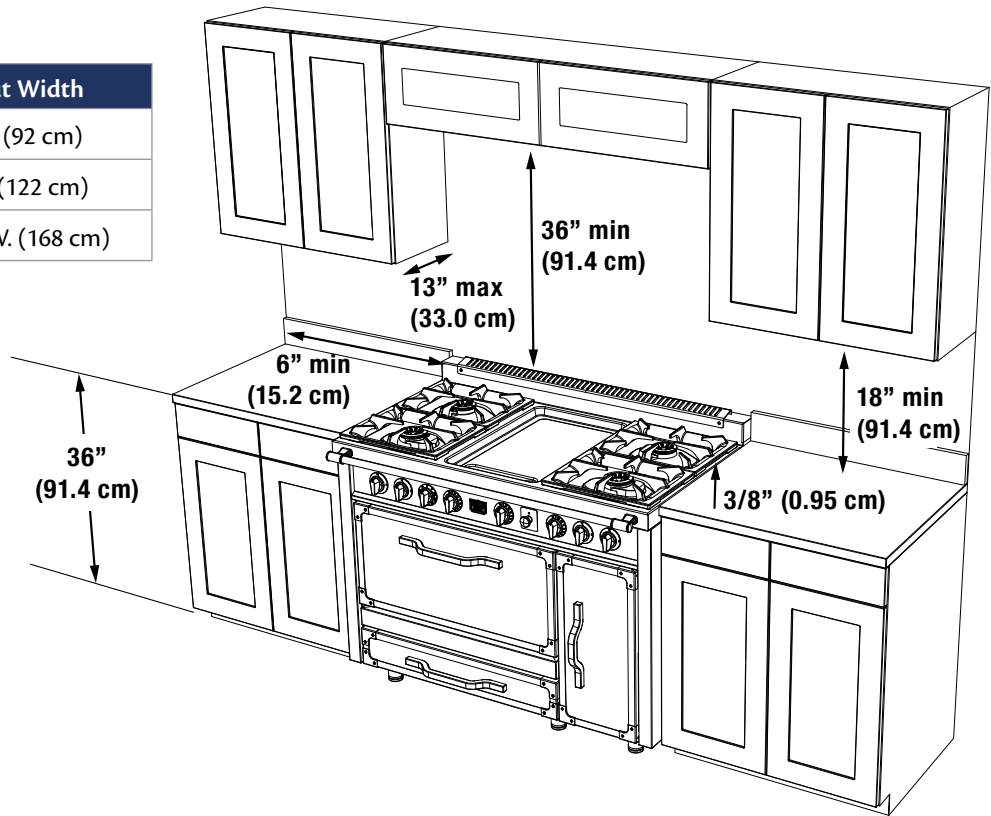
| Description   | 36" W.   | 48" W.                                    | 66" W.                              |
|---|--|---|-------------------------------------|
| Overall width   | 35-7/8" (91.1 cm)  | 47-7/8" (121.6 cm)                        | 66-1/8" (168.0 cm)                  |
| Overall height from bottom<br>To top of side trim<br>Leg adjustment   | 35-7/8" (91.1 cm) min to 36-5/8 (93.0 cm) max<br>3/4" (1.9 cm)   |   |                                     |
| Overall depth from rear<br>To end of side panel<br>To front of door<br>To end of towel bar<br>To end of door handle | 26-3/4" (67.9 cm)<br>26-3/4" (67.9 cm)<br>30-3/8" (77.2 cm)<br>28-7/8" (35.2 cm)   |   |                                     |
| Additions to Base Height<br>To top of island trim   | add 4" (10.2 cm)   |   |                                     |
| Gas requirements  | Shipped Natural Gas, accepts standard residential 1/2" (1.3 cm) ID gas service line.<br>Natural 5.0" W.C.P./ Liquid Propane L/P 10.0" W.C.P. Unit is field convertible with optional accessory conversion kit. |   |                                     |
| Electrical requirements   | 40 amp   | 50 amp                                    | 50 amp                              |
|   | See install guide for more information   |   |                                     |
| Maximum amp usage   | 240V - 18.5 amps / 208V - 15.8 amps  | 240V - 28.5 amps / 208V - 24.4 amps       | 240V - 31.1 amps / 208V - 26.6 amps |
| Surface ratings   | See illustrations  |   |                                     |
| Oven interior width   | 25-3/4" (65.4 cm)  | LH 25-3/4" (65.4 cm) RH 11-5/8" (29.5 cm) | Both ovens: 25-3/4" (65.4 cm)       |
| Oven interior height  | 13" (33.0 cm)  | LH 13" (33.0 cm) RH 18-1/4" (46.4 cm)     | Both ovens: 13" (33.0 cm)           |
| Oven interior depth   | 19-5/8" (49.8 cm)  | LH 19-5/8" (49.8 cm) RH 19-5/8" (49.8 cm) | Both ovens: 19-5/8" (49.8 cm)       |
| Oven volume<br>Overall AHAM   | 3.8 cu. ft.  | LH 3.8 cu. ft. RH 2.4 cu. ft.             | Both ovens: 3.8 cu. ft.             |
| Approximate shipping weight   | 300 - 340 lbs (135 - 153 kg)   | 470 - 510 lbs (212 - 230 kg)              | 640 - 695 lbs (289 - 314 kg)        |



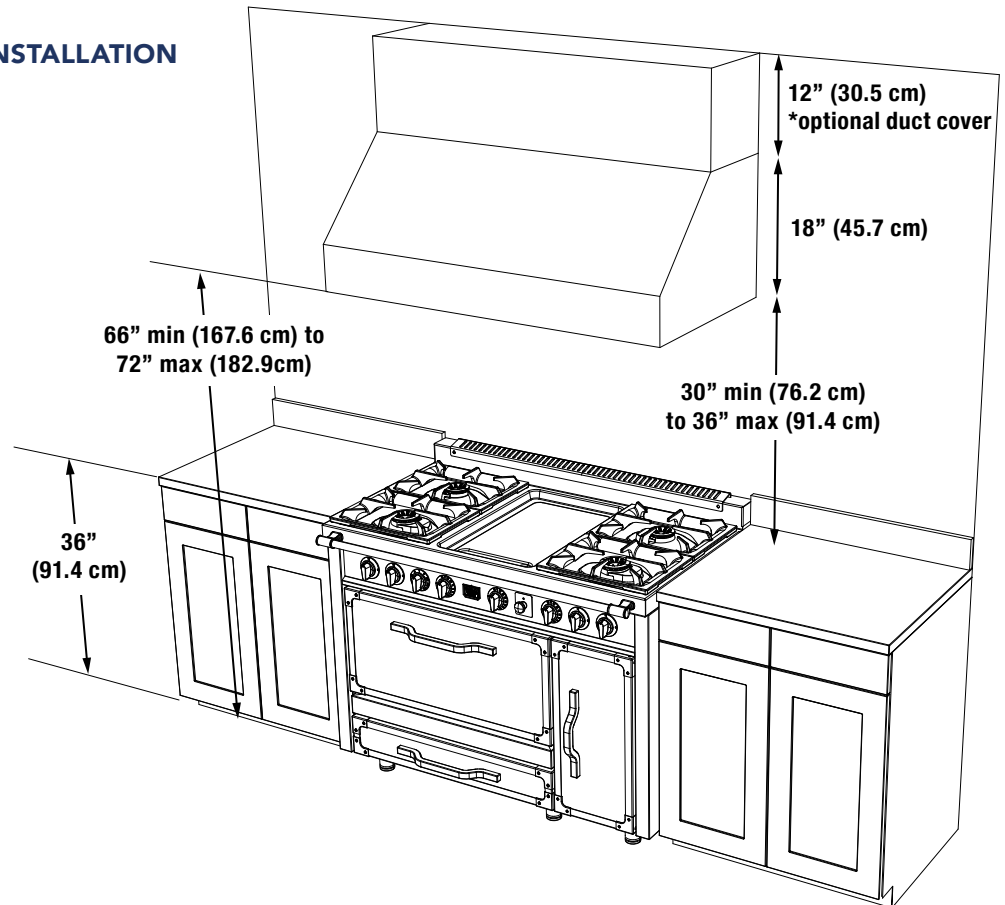


## CLEARANCE DIMENSIONS

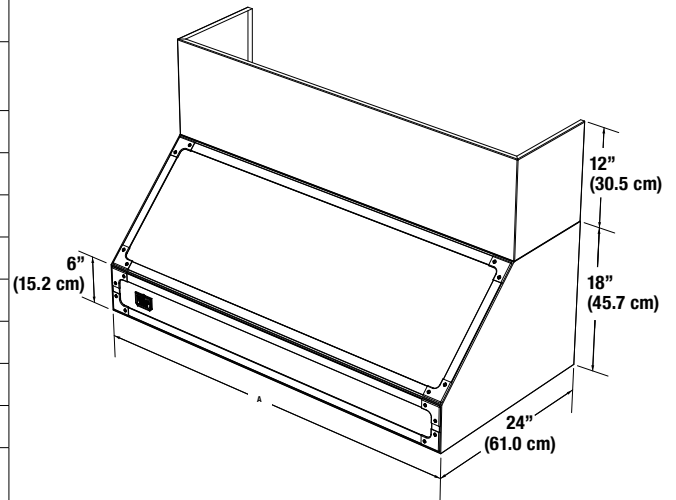
| Range Width        | Cutout Width       |
|--------------------|--------------------|
| 35-7/8" (91.1 cm)  | 36"W. (92 cm)      |
| 47-7/8" (121.6 cm) | 48"W. (122 cm)     |
| 66" (167.6 cm)     | 66-1/8"W. (168 cm) |



## WALL INSTALLATION



| TUSCANY 18"H. HOODS      |                       |                    |                    |
|--------------------------|-----------------------|--------------------|--------------------|
| Description              | 36" W.                | 48" W.             | 66" W.             |
| Duct cover width         | 35-7/8" (91.1cm)      | 47-7/8" (121.6 cm) | 65-7/8" (167.3 cm) |
| Duct cover depth         | 12" (30.5 cm)         |                    |                    |
| Duct cover height        | 12" (30.5 cm)         |                    |                    |
| Number of lights         | 2                     | 3                  |                    |
| Number of filters        | 2                     | 3                  |                    |
| Heat lamps               | 1                     | 2                  |                    |
| Interior ventilator kits | VINV300/600/1200      | VINV1200           |                    |
| Exterior ventilator kits | DEV900/1200*          | DEV1200*/1500**    |                    |
| In-line ventilator kits  | DIL1200               |                    |                    |
| Interior duct size       | 7"/10" (17.8/25.4 cm) | 10" (25.4 cm)      |                    |
| Exterior duct size       | 10" (24.5 cm)         |                    |                    |
| Interior—Max amps        | 4.2/5.2/8.2           | 10.8               |                    |
| Exterior—Max amps        | 8.0/5.3               | 7.8/8.5            |                    |
| In-Line—Max amps         | 5.3/7.2               | 9.6                |                    |



| A     |                    |
|-------|--------------------|
| 36"W. | 35 7/8" (91.1 cm)  |
| 48"W. | 47 7/8" (121.6 cm) |
| 66"W. | 65 7/8" (167.3 cm) |

- It is recommended that the 1,500 CFM ventilator be used with longer duct runs. Max duct run is 75 ft.
- NOTE: Maximum amp rating for hoods includes recommended ventilator kit rating; All products must be hard wired with 2-wire with ground. An interior- or exterior-power ventilator kit must be purchased for installation with all 18"H. hoods.

| DISHWASHER                    |   |
|-------------------------------|---|
| Description                   | FDWU Dishwashers  |
| Overall Width                 | 23-9/16" (59.8 cm)  |
| Overall Height from Floor     | 33-7/8" (86.0 cm) minimum to 35 7/8" (91.1 cm) maximum                                |
| Overall Depth                 | To front of door panel: 22 3/16" (56.4 cm)  |
| Cutout Width                  | 24" (61.0 cm)   |
| Cutout Height                 | 34" (86.4 cm) minimum to 36" (91.4 cm) maximum  |
| Cutout Depth                  | 24" (61.0 cm)   |
| Electrical Requirements       | 12.0 amps, 115V/60Hz; 4" (120cm) electrical cord with 3-prong plug supplied with unit |
| Water-Heating Element Rating  | 1240 watts  |
| Inlet Water Temperature       | 120°F (49°C) required   |
| Drain Hose                    | 6.4' (1.9m) drain hose provided   |
| Drain Hose High Loop Required | Height from floor – 28" (71.0 cm)   |
| Approximate Shipping Weight   | 97 lb. (44 kg)  |

